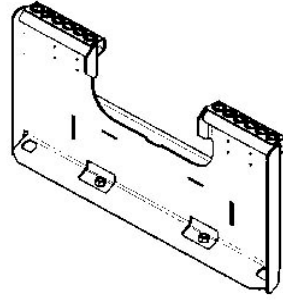


November 1, 2021  
 BOBCAT Retail Price Pages



**Adapter Plate**  
**Bobcat Loader Attachment**



**Quick Specs** **Labor**

Operating Weight                      87 lbs.

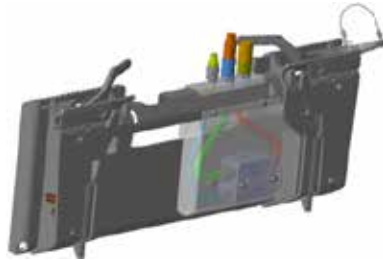
| Part Number | Description | Attachment | Retail Price in US \$ | Labor |
|-------------|-------------|------------|-----------------------|-------|
|-------------|-------------|------------|-----------------------|-------|

|   |  |  |          |        |
|---|--|--|----------|--------|
| (MT50, MT52, MT55, MT85, MT100) (L23, L28)<br>7100695 | Adapter Plate<br>(Installs on competitive attachment for use with Bobcat MT50, MT52, MT55, MT85 and MT100) |  | \$603.00 | \$0.00 |
|---|--|--|----------|--------|

**Note:** The adapter plate is not approved for use with buckets because of reduced breakout forces and ROC. Also, the below attachments have not been evaluated on the L23 or L28.

| Competitive Model Number | Attachment Description     | Notes                   |
|--------------------------|----------------------------|-------------------------|
| Dingo® 22414             | Hydraulic Blade            | Extend hoses 20" to get |
| Dingo 22400              | Auger Power Head           | Maximum bit diameter is |
| Dingo 22801              | Universal Auger Power Head | Maximum bit diameter is |
| Dingo 22441              | Concrete Breaker           | Extend hoses 20"        |
| Dingo 22445              | Tiller, 40"                |                         |
| Dingo 22420              | Boring Unit                |                         |
| Dingo 22910              | Vibratory Plow             |                         |
| Dingo 22447              | Trencher                   |                         |
| Harley Rake              | M4F, M4M, M4H              |                         |
| Ditch Witch SK5VP        | Vibratory Plow             |                         |
| Ditch Witch SK5TR        | Trencher                   | Extend hoses 12"        |

**Adapter Plate - Bob-Dock**  
**Bobcat Loader Attachment**



**Quick Specs**

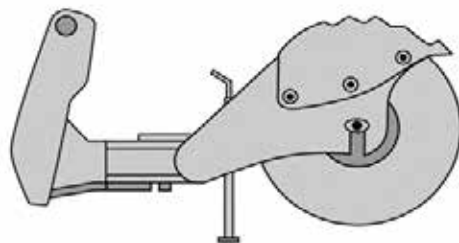
Operating Weight                      209 lbs.

| Part Number | Description | Attachment | Retail Price in US \$ | Labor |
|-------------|-------------|------------|-----------------------|-------|
|-------------|-------------|------------|-----------------------|-------|

|  |                        |  |            |        |
|--|------------------------|--|------------|--------|
| (S630, S650, S740, S770, T630, T650, T740, T770) (T76H)<br>7346768 | Bob-Dock Adapter Plate |  | \$1,245.00 | \$0.00 |
|--|------------------------|--|------------|--------|

**Note:** Customers may require more than one Bob-Dock Adapter Plate

**Angle Broom**  
**Bobcat Loader Attachment**



**Quick Specs**

|                               |                       |                       |  |
|-------------------------------|-----------------------|-----------------------|--|
| Operating Weight.....         | <u>52"</u><br>355lbs. | <u>64"</u><br>385lbs. |  |
| Sweep Width Straight.....     | 51.5"                 | 63.5"                 |  |
| Sweep Width Fully Angled..... | 46.5" @ 25°           | 57.5" @ 25°           |  |

Loader Attachments

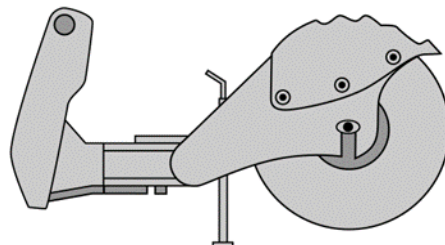
|                                 |                    |                    |
|---------------------------------|--------------------|--------------------|
| Broom Angling.....              | Hydraulic Cylinder | Hydraulic Cylinder |
| Drive System.....               | Hydraulic Motor    | Hydraulic Motor    |
|                                 | Direct Drive       | Direct Drive       |
| Flow Range.....                 | 9-17.4 GPM         | 9-17.4 GPM         |
| Broom Bristle Diameter.....     | 26"                | 26"                |
| Bristle Material.....           | Poly Orange HD     | Poly Orange HD     |
| Number of Bristle Sections..... | 27 Zig-Zag         | 33 Zig-Zag         |
| Electrical.....                 | 14 Pin Standard    | 14 Pin Standard    |

| Part Number | Description | Attachment | Retail Price in US \$ | Labor |
|-------------|-------------|------------|-----------------------|-------|
|-------------|-------------|------------|-----------------------|-------|

**Must order a hydraulic motor package with the 52" and 64" Angle Broom  
 To convert 14 pin to 7 pin order Kit # 7413216**

|  |   |  |                   |               |
|--|---|--|-------------------|---------------|
| (S70, S100, S450) (MT55, MT85/100) (L23, L28)<br>M7043         | <b>52" Angle Broom</b><br>(Loader must be equipped with an Attachment Control Kit – See Page 1 or 2) (When used on loaders equipped with a 7-Pin Attachment Control Kit order PN 7413216) |  | <b>\$4,783.58</b> | <b>\$0.00</b> |
| M7043-R02-C01  | 10.3 CID Motor Package 9.6 - 12.0 GPM<br>(S70,S100, MT55, MT85/100, L23, L28)   |  | \$550.00          | <b>\$0.00</b> |
| M7043-R02-C02  | 14.5 CID Motor Package 16.5 – 17.4 GPM<br>(S450)  |  | \$770.00          | <b>\$0.00</b> |
| (S70, S100, S450) (T450) (MT55, MT85/100 ) (L23, L28)<br>M7044 | <b>64" Angle Broom</b><br>(Loader must be equipped with an Attachment Control Kit – See Page 1 or 2) (When used on loaders equipped with a 7-Pin Attachment Control Kit order PN 7413216) |  | <b>\$5,261.93</b> | <b>\$0.00</b> |
| M7044-R02-C01  | 10.3 CID Motor Package 9.6 - 12.0 GPM<br>(S70,S100, MT55, MT85/100, L23, L28)   |  | \$597.95          | <b>\$0.00</b> |
| M7044-R02-C02  | 14.5 CID Motor Package 16.5 – 17.4 GPM<br>(S450, T450)  |  | \$770.00          | <b>\$0.00</b> |

**Angle Broom  
 Bobcat Loader Attachment**



| Quick Specs |  |  | Labor |
|-------------|--|--|-------|
|-------------|--|--|-------|

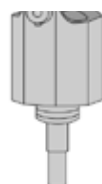
|                                 |                       |                       |
|---------------------------------|-----------------------|-----------------------|
| Operating Weight.....           | <b>68"</b><br>860lbs. | <b>84"</b><br>944lbs. |
| Sweep Width Straight.....       | 68"                   | 84"                   |
| Sweep Width Fully Angled.....   | 63" @ 25°             | 77" @ 25°             |
| Broom Angling.....              | Hydraulic Cylinder    | Hydraulic Cylinder    |
| Drive System.....               | Hydraulic Motor       | Hydraulic Motor       |
|                                 | Direct Drive          | Direct Drive          |
| Flow Range.....                 | 15-28 GPM             | 15-28 GPM             |
| Broom Bristle Diameter.....     | 32"                   | 32"                   |
| Bristle Material.....           | Poly Orange HD        | Poly Orange HD        |
| Number of Bristle Sections..... | 36 Zig-Zag 2 Straight | 44 Zig-Zag 2 Straight |

| Part Number | Description | Attachment | Retail Price in US \$ | Labor |
|-------------|-------------|------------|-----------------------|-------|
|-------------|-------------|------------|-----------------------|-------|

|   |   |  |                   |               |
|---|---|--|-------------------|---------------|
| (S100, S130, S150, S160, S175, S185, S205) (S450, S510, S530, S550, S570, S590, S595, S630, S650, S740, S750, S770)<br>(S62, S64, S66, S76) (A770) (T110, T140, T180, T190) (T450,T550, T590, T595, T630, T650, T740, T750, T770)<br>(T62, T64, T66, T76)<br>7337703  | <b>68" Angle Broom</b><br>(Loader must be equipped with an Attachment Control Kit – See Page 1 or 2) (When used on loaders equipped with a 14-Pin Attachment Control Kit, a 14-Pin Attachment T-Harness Kit is required – See Page 3) |  | <b>\$7,313.42</b> | <b>\$0.00</b> |
| (S150, S160, S160H, S175, S185, S185H, S205, S205H) (S510, S530, S550, S550H, S570, S570H, S590, S590H, S595, S595H, S630, S650,S740, S750, S770, S850) (S62, S64, S66, S76) (A770) (T180, T180H, T190, T190H)<br>(T550, T550H, T590, T590H, T595, T595H, T630, T650, T740, T750, T770, T870) (T62, T64, T66, T76)<br>7337715 | <b>84" Angle Broom</b><br>(Loader must be equipped with an Attachment Control Kit – See Page 1 or 2) (When used on loaders equipped with a 14-Pin Attachment Control Kit, a 14-Pin Attachment T-Harness Kit is required – See Page 2) |  | <b>\$7,965.76</b> | <b>\$0.00</b> |

**Auger  
 Bobcat Loader Attachment**





**Auger Drive Unit**

**Quick Specs**

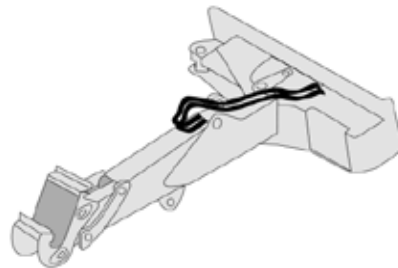
|                                    | <u>Model 10</u>            | <u>Model 15C</u>           | <u>Model 15H</u>           | <u>Model 30C</u>           | <u>Model 30H</u>           | <u>Model 35PH</u>          | <u>Model 50PH</u>          |
|------------------------------------|----------------------------|----------------------------|----------------------------|----------------------------|----------------------------|----------------------------|----------------------------|
| Ship Weight (Auger Drive)...       | 191 lbs.                   | 245 lbs.                   | 241 lbs.                   | 263 lbs.                   | 257 lbs.                   | 325 lbs.                   | 325 lbs.                   |
| Ship Weight (Mtg. Frame)....       | 162 lbs                    | 193lbs                     | 193 lbs                    | 193 lbs                    | 193 lbs                    | 209 lbs                    | 209 lbs                    |
| Operating Weight (less bit)...     | 283 lbs                    | 358 lbs                    | 354 lbs                    | 376 lbs                    | 370 lbs                    | 454 lbs                    | 454 lbs                    |
| Digging Depth (without extensions) | 58"                        | 62"                        | 62"                        | 62"                        | 62"                        | 72"                        | 72"                        |
| Shaft Diameter - Round.....        | 2.5"                       | 2.5"                       | -                          | 2.5"                       | -                          | -                          | -                          |
| Shaft Diameter - Hex.....          | -                          | 2.0"                       | 2.0"                       | 2.0"                       | 2.0"                       | 2.5"                       | 2.5"                       |
| <b>RPM</b>                         |                            |                            |                            |                            |                            |                            |                            |
| @ 8 gpm (30 L/min.).....           | 48 rpm                     | -                          | -                          | -                          | -                          | -                          | -                          |
| @ 12 gpm (45 L/min.).....          | 72 rpm                     | 57 rpm                     | 57 rpm                     | -                          | -                          | -                          | -                          |
| @ 17 gpm (64 L/min.).....          | 102 rpm                    | 80 rpm                     | 80 rpm                     | 41 rpm                     | 41 rpm                     | -                          | -                          |
| @ 18 gpm (68 L/min.).....          | -                          | -                          | -                          | -                          | -                          | 46 rpm                     | 36 rpm                     |
| @ 21 gpm (70 L/min.).....          | -                          | 99 rpm                     | 99 rpm                     | 51 rpm                     | 51 rpm                     | -                          | -                          |
| @ 22 gpm (83 L/min.).....          | -                          | -                          | -                          | -                          | -                          | 56 rpm                     | 45 rpm                     |
| @ 23 gpm (87 L/min.).....          | -                          | 109 rpm                    | 109 rpm                    | 56 rpm                     | 56 rpm                     | -                          | -                          |
| @ 26 gpm (98 L/min.).....          | -                          | -                          | -                          | -                          | -                          | 67 rpm                     | 53 rpm                     |
| @ 30 gpm (114 L/min.)....          | -                          | -                          | -                          | 70 rpm                     | 70 rpm                     | 77 rpm                     | 61 rpm                     |
| @ 32 gpm (121 L/min.)....          | -                          | -                          | -                          | -                          | -                          | 82 rpm                     | 65 rpm                     |
| @ 34 gpm (129 L/min.)....          | -                          | -                          | -                          | -                          | -                          | 87 rpm                     | 69 rpm                     |
| @ 36 gpm (136 L/min.)....          | -                          | -                          | -                          | -                          | -                          | 92 rpm                     | 73 rpm                     |
| @ 37 gpm (140 L/min.)....          | -                          | -                          | -                          | 90 rpm                     | 90 rpm                     | -                          | -                          |
| @ 38 gpm (144 L/min.)....          | -                          | -                          | -                          | -                          | -                          | 98 rpm                     | 77 rpm                     |
| <b>Torque</b>                      |                            |                            |                            |                            |                            |                            |                            |
| @ 2000 psi (19,788 kPa).....       | 1,021 ft.lb.<br>(1,523 Nm) | 1,300 ft.lb.<br>(1,763 Nm) | 1,300 ft.lb.<br>(1,763 Nm) | 2,520 ft.lb.<br>(3,417 Nm) | 2,520 ft.lb.<br>(3,417 Nm) | 2,387 ft.lb.<br>(3,237 Nm) | 3,023 ft.lb.<br>(4,100 Nm) |
| @ 2400 psi (16,547 kPa).....       | 1,225 ft.lb.<br>(1,661 Nm) | 1,560 ft.lb.<br>(2,115 Nm) | 1,560 ft.lb.<br>(2,115 Nm) | 3,024 ft.lb.<br>(4,100 Nm) | 3,024 ft.lb.<br>(4,100 Nm) | 2,864 ft.lb.<br>(3,884 Nm) | 3,628 ft.lb.<br>(4,920 Nm) |
| @ 2600 psi (17,926 kPa).....       | -                          | -                          | -                          | -                          | -                          | 3,103 ft.lb.<br>(4,208 Nm) | 3,931 ft.lb.<br>(5,330 Nm) |
| @ 2700 psi (18,616 kPa).....       | 1,378 ft.lb.<br>(1,868 Nm) | 1,775 ft.lb.<br>(2,379 Nm) | 1,775 ft.lb.<br>(2,379 Nm) | 3,402 ft.lb.<br>(4,213 Nm) | 3,402 ft.lb.<br>(4,213 Nm) | -                          | -                          |
| @ 3000 psi (20,684 kPa).....       | 1,532 ft.lb.<br>(2,077 Nm) | 1,950 ft.lb.<br>(2,644 Nm) | 1,950 ft.lb.<br>(2,644 Nm) | 3,780 ft.lb.<br>(5,125 Nm) | 3,780 ft.lb.<br>(5,125 Nm) | -                          | -                          |
| @ 3200 psi (22,753 kPa).....       | -                          | -                          | -                          | -                          | -                          | 3,819 ft.lb.<br>(5,179 Nm) | 4,838 ft.lb.<br>(6,560 Nm) |
| @ 3300 psi (22,753 kPa).....       | -                          | 2,415 ft.lb.<br>(2,908 Nm) | 2,415 ft.lb.<br>(2,908 Nm) | 4,158 ft.lb.<br>(5,638 Nm) | 4,158 ft.lb.<br>(5,638 Nm) | -                          | -                          |
| @ 3500 psi (24,132 kPa).....       | -                          | 2,275 ft.lb.<br>(3,084 Nm) | 2,275 ft.lb.<br>(3,084 Nm) | 4,410 ft.lb.<br>(5,979 Nm) | 4,410 ft.lb.<br>(5,979 Nm) | 4,177 ft.lb.<br>(5,664 Nm) | 5,291 ft.lb.<br>(7,175 Nm) |

| Part Number  | Description | Attachment   | Retail Price in US \$ | Labor         |
|--|-------------|--|-----------------------|---------------|
| (MT50, MT52, MT55, MT85, MT100) (S70, S100, S130, S150, S160, S175, S185, S205) (S450) (T110, T140) (T450) (L23, L28)  |             |  |                       |               |
| 6808799  |             | <b>Model 10 Auger Drive Unit</b><br>(Must also order Mounting Frame and Bit) (Must order mounting frame, light duty bit and swing stop kit when installing on MT50, MT52, MT55, MT85, and MT100)                               | <b>\$1,857.97</b>     | <b>\$0.00</b> |
| (S100, S130, S150, S160, S175, S185, S205) (S450*, S510*, S530*, S550*, S570*, S590*, S595*, S630*, S650*, S740*, S750*, S770*, S850*) (S62, S64, S66, S76) (A770*) (T110, T140, T180, T190, T250, T300, T320) (T450*, T550*, T590*, T595*, T630*, T650*, T740*, T740H*, T750*, T770*, T870*) (T62, T64, T66, T76)   |             |  |                       |               |
| 6809442  |             | <b>Model 15C Auger Drive Unit</b><br>(Must also order Mounting Frame and Bit) (Auger drive unit is shipped with a 7/8" round bit retention pin, if used in conjunction with a hex bit a 5/8" Pin Kit P/N 6809733 is required.) | <b>\$2,276.52</b>     | <b>\$0.00</b> |
| 7145345  |             | <b>Model 15H Hex Shaft Auger Drive Unit</b><br>(Must also order Mounting Frame and Bit)  | <b>\$2,276.52</b>     | <b>\$0.00</b> |
| (S130, S150, S160, S160H, S175, S185, S185H, S205, S205H) (S450*, S510*, S530*, S550*, S550H*, S570*, S570H*, S590*, S590H*, S595*, S595H*, S630H*, S650*, S650H*, S740*, S740H*, S750*, S750H*, S770*, S770H*, S850*, S850H*) (S62*, S62H*, S64*, S64H*, S66*, S66H*, S76*, S76H*) (A770*, A770H*) (T140, T180, T180H, T190, T190H) (T450*, T550*, T550H*, T590*, T590H*, T595*, T595H*, T630*, T630H*, T650*, T650H*, T740*, T740H*, T750*, T750H*, T770*, T770H*, T870*, T870H*) (T62*, T62H*, T64*, T64H*, T66*, T66H*, T76*, T76H*) |             |  |                       |               |
| 6809445  |             | <b>Model 30C Auger Drive Unit</b><br>(Must also order Mounting Frame and Bit) (Auger drive unit is shipped with a 7/8" round bit retention pin, if used in conjunction with a hex bit a 5/8" Pin Kit P/N 6809733 is required.) | <b>\$2,975.57</b>     | <b>\$0.00</b> |
| 7138264  |             | <b>Model 30H Hex Shaft Auger Drive Unit</b><br>(Must also order Mounting Frame and Bit)  | <b>\$2,975.57</b>     | <b>\$0.00</b> |
| <b>*Must also order Bumper Kit p/n 7172609 from Parts ONLY IF AUGER MOUNTING FRAME p/n 6812980 IS OLDER MODEL. Current Auger Mounting Frame p/n 6812980 includes Bumper Kit p/n 7172609.</b>   |             |  |                       |               |
| (S510, S530, S550, S570, S590, S595, S630, S650, S740, S740H, S750, S770, S850) (S62H, S64, S64H, S66, S66H, S76, S76H) (A770) (T550, T590, T595, T630, T650, T740, T750, T770, T870)  |             |  |                       |               |
| 7220280  |             | <b>Model 35PH Auger Drive Unit</b><br>(Must also order 35PH/50PH Mounting Frame and Bit) (Auger Drive unit is shipped with bit retention pin)  | <b>\$4,590.02</b>     | <b>\$0.00</b> |
| (S550H, S570H, S590H, S595H, S630, S650, S740, S740H, S750, S770, S850) (S62H, S64H, S66, S66H, S76, S76H) (A770) (T550H, T590H, T595H, T630, T650, T740, T750, T770, T870) (T62H, T64H, T66, T66H, T76, T76H)   |             |  |                       |               |
| 7227984  |             | <b>Model 50PH Auger Drive Unit</b>   | <b>\$5,252.19</b>     | <b>\$0.00</b> |

(Must also order 35PH/50PH Mounting Frame and Bit) (Auger Drive unit is shipped with bit retention pin)

| Part Number   | Description   | Dealer Installed Accessories - Order From Sales<br>Retail Price in US \$ | Labor  |
|---|---|--|--------|
| <b>(S70) (MT50-MT55, MT85, MT100)</b>   |   |  |        |
| 6812946   | Auger 10 Bob-Tach Mounting Frame<br>(Includes Mounting Hardware)                                    | \$732.23   | \$0.00 |
| <b>(MT85, MT100)</b>  |   |  |        |
| 7272933   | Auger 10 MTG Bracket CII<br>(Includes Mounting Hardware)  | \$732.23   | \$0.00 |
| <b>(S100-S330, S450-S850) (S62, S64, S66, S76) (A770) (T110-T320, T450-T870) (T62, T64, T66, T76)</b> |   |  |        |
| 6812980   | Auger 15C/H, 30C/H Mounting Frame<br>(Includes Mounting Hardware) (Includes Bumper Kit p/n 7172609) | \$619.96   | \$0.00 |
| <b>(S510-S850) (S62, S64, S66, S76) (A770) (T550-T870) (T62, T64, T66, T76)</b>                       |   |  |        |
| 7223507   | 35PH/50PH Mounting Frame<br>(Includes Mounting Hardware)  | \$739.43   | \$0.00 |

**Bob-Tach Backhoe  
Bobcat Loader Attachment**



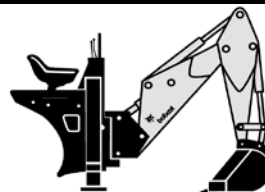
**Quick Specs**

|  |                          |
|--|--------------------------|
| Operating Weight (without bucket)..... | 750 lbs                  |
| Swing Angle.....                       | 48 degrees left or right |
| Length.....                            | 77.0"                    |
| Width.....                             | 50.0"                    |
| Height.....                            | 17.8"                    |
| Dig Depth.....                         | 72.0"                    |
| Reach.....                             | 77.0"                    |
| Dig Force – Bucket.....                | 4878 lbf.                |
| Bolt-on X-Change.....                  | Standard                 |

| Part Number  | Description   | Attachment<br>Retail Price in US \$ | Labor  |
|--|---|-------------------------------------|--------|
| <b>(S150, S160, S175, S185, S205) (S510, S530, S550, S570, S590, S595) (S62, S64, S66, S66) (T180, T190) (T550, T590, T595) (T62, S64, S66, T66)</b> |   |                                     |        |
| 6906767  | Bob-Tach Mounted Backhoe<br>(Must also order bucket, see Backhoe Bucket pages) (Loader must be equipped with an Attachment Control Kit – See Page 1 and 2) (If installing on loader with 14-Pin Attachment Control, must also order 14-pin Attachment T-Harness P/N 6725383) (Bob-Tach Mounted Backhoe is NOT compatible with Rear Stabilizers) | \$6,792.64                          | \$0.00 |

| Part Number | Description   | Dealer Installed Accessories - Order From Sales<br>Retail Price in US \$ | Labor  |
|-------------|---|--|--------|
| 7104321     | Hydraulic Clamp.....<br>(Includes cylinder, hoses & pins) (Must also order Auxiliary Hydraulic Kit) | \$2,409.16   | \$0.00 |

**Backhoe  
Bobcat Loader Attachment**



**Quick Specs**

M06      7BH      9BH      8811

Loader Attachments

|                         |           |           |           |           |
|-------------------------|-----------|-----------|-----------|-----------|
| Operating Weight.....   | 685 lbs   | 1298 lbs  | 1487 lbs  | 2012 lbs  |
| Dig Depth.....          | 76.2"     | 95.1"     | 116.6"    | 135.7"    |
| Reach.....              | 88"       | 123.6"    | 145.3"    | 166"      |
| Dig Force – Bucket..... | 2200 lbf. | 5294 lbf. | 5318 lbf. | 8611 lbf. |
| Dig Force – Dipper..... | 968 lbf.  | 2835 lbf. | 3291 lbf. | 3020 lbf. |
| Bolt-on X-Change.....   | N/A       | Standard  | Standard  | Standard  |
| Swing Angle.....        | 180°      | 180°      | 180°      | 180°      |
| Stabilizer type.....    | Hydraulic | Hydraulic | Hydraulic | Hydraulic |

| Part Number | Description | Attachment | Retail Price in US \$ | Labor |
|-------------|-------------|------------|-----------------------|-------|
|-------------|-------------|------------|-----------------------|-------|

**For current parts pricing, reference BobQuote or Dealer Parts Department.**

|   |   |  |                      |               |
|---|---|--|----------------------|---------------|
| <b>(MT50, MT52, MT55)</b>   |   |  |                      |               |
| 7101456   | <b>M06 Backhoe.....</b>   |  | <b>\$9,100.76</b>    | <b>\$0.00</b> |
|   | (Must order a Bucket and Mounting Kit)  |  |                      |               |
| 7153411   | <b>Auxiliary Hydraulics Mode Switch Kit.....</b>  |  | <b>Parts \$_____</b> |               |
|   | (Needed to control M06 Backhoe attachment on MT52 s/n A3WR11001 & above and MT55 s/n A3WT11001 & above)   |  |                      |               |
| <b>(S450, S510, S530, S550, S570, S590, S595) (T450, T550, T590, T595)</b>              |   |  |                      |               |
| 7243518   | <b>7BH Backhoe.....</b>   |  | <b>\$16,380.47</b>   | <b>\$0.00</b> |
|   | (Must also order mounting kit and bucket) (Will not fit K-Series and older loaders)   |  |                      |               |
| <b>(S510, S530, S550, S570, S590, S595, S630, S650) (T550, T590, T595, T630, T650)</b>  |   |  |                      |               |
| 7237275   | <b>9BH Backhoe.....</b>   |  | <b>\$17,335.01</b>   | <b>\$0.00</b> |
|   | (Must also order mounting kit and bucket) (Will not fit K-Series and older loaders)   |  |                      |               |
| <b>(S630, S650, S740, S750, S770, S850) (A770) (T630, T650, T740, T750, T770, T870)</b> |   |  |                      |               |
| 7130772   | <b>8811 Backhoe.....</b>  |  | <b>\$18,466.82</b>   | <b>\$0.00</b> |
|   | (Must also order Mounting Kit and Bucket) (Must order Spacer Kit (PN 7168932) When mounting on M-Series machines) (Must order latch kit if backhoe serial number is below A5581500) |  |                      |               |

**Note: Use of Rear Stabilizers is recommended with the 9BH and 8811 Backhoes.**  
**Note: Bolt-on street pads are available for the 607, 709, 8709, 811 and 8811 Backhoes from Bobcat Parts.**

| Part Number | Description | Dealer Installed Accessories - Order From Sales | Retail Price in US \$ | Labor |
|-------------|-------------|---|-----------------------|-------|
|-------------|-------------|---|-----------------------|-------|

**Backhoe Attachments**

|   |  |  |                   |                 |
|---|--|--|-------------------|-----------------|
| 6817177                                       | <b>Frost &amp; Rock Ripper.....</b>  |  | <b>\$1,180.00</b> | <b>\$0.00</b>   |
|   | (Used on the 709/8709/811/8811 Backhoes to penetrate and scarify frost or hard ground) (X-Change System required) (Operating Weight 195 lbs.)  |  |                   |                 |
| 6806644                                       | <b>Packer Wheel.....</b>   |  | <b>\$2,821.21</b> | <b>\$0.00</b>   |
|   | (Use with 607/709/8709/811/8811 Backhoes to compact fill after trenching.) (X-Change System required) (Operating Weight 386 lbs.)  |  |                   |                 |
| <b><u>Backhoe Mounting Kits – Current</u></b> |  |  |                   |                 |
| 7101552                                       | <b>Mounting Kit.....</b>   |  | <b>\$221.00</b>   | <b>\$0.00</b>   |
|   | (M06 to MT52 or MT55)  |  |                   |                 |
| 7228276                                       | <b>Mounting Kit.....</b>   |  | <b>\$600.83</b>   | <b>\$270.00</b> |
|   | (7BH & 9BH to S450, S510, S530, S550, S570, S590, S595, T450, T550, T590, T595) (Ship Weight 50 lbs) (Estimated install time 2 hrs)  |  |                   |                 |
| 7168488                                       | <b>Mounting Kit.....</b>   |  | <b>\$600.83</b>   | <b>\$270.00</b> |
|   | (8811 to S630, S650, S740, S750, S770, A770, T630, T650, T740, T750, T770) (9BH to S630, S650, T630, T650) (Ship Weight 50 lbs.; Estimated install time 2 hours) (For Backhoe 8811 s/n A55809999 & below and s/n 630199999 & below, must also order p/n 7204238) |  |                   |                 |
| 7168932                                       | <b>Bob-Tach Adapter Kit (Spacer).....</b>  |  | <b>\$873.00</b>   | <b>\$0.00</b>   |
|   | (Required to mount 8811 to S630, S650, S740, S750, S770, S850, S76 A770, T630, T650, T740, T750, T770, T870, T76)  |  |                   |                 |

| Part Number | Description | Dealer Installed Accessories - Order From Sales | Retail Price in US \$ | Labor |
|-------------|-------------|---|-----------------------|-------|
|-------------|-------------|---|-----------------------|-------|

**Laser Equipment**

|   |   |  |                 |               |
|---|---|--|-----------------|---------------|
| <b>(S130, S150, S160, S175, S185, S205) (S630, S650, S740, S750, S770) (A770) (T140, T180, T190) (T630, T650, T740, T750, T770)</b> |   |  |                 |               |
| 7387821   | <b>Laser Receiver, CR700.....</b>   |  | <b>\$605.52</b> | <b>\$0.00</b> |
|   | (Can be used as handheld, machine, or rod-mounted laser receiver) (Includes magnetic mount for machines and clamp mount for grader rod) |  |                 |               |

| Part Number | Description | SAE Heaped Capacity (FT <sup>3</sup> ) | Ship WGT. | Retail Price in US \$ | Labor |
|-------------|-------------|--|-----------|-----------------------|-------|
|-------------|-------------|--|-----------|-----------------------|-------|

**Backhoe Buckets – Current**

|   |   |             |            |                   |               |
|---|---|-------------|------------|-------------------|---------------|
| <b>(Bob-Tach Mounted Backhoe X-Change™ Style)</b>   |   |             |            |                   |               |
| Note: These buckets are the same buckets as used with the 607 Backhoe and 325 and 328 excavators. |   |             |            |                   |               |
| 7333229   | <b>12" Trenching Bucket, Smooth Lip.....</b>      | <b>1.33</b> | <b>167</b> | <b>\$912.61</b>   | <b>\$0.00</b> |
| 7333230   | <b>12" Trenching Bucket, 3 Weld-On Teeth.....</b> | <b>1.33</b> | <b>173</b> | <b>\$912.61</b>   | <b>\$0.00</b> |
| 7333244   | <b>16" Trenching Bucket, Smooth Lip.....</b>      | <b>1.92</b> | <b>192</b> | <b>\$955.82</b>   | <b>\$0.00</b> |
| 7333245   | <b>16" Trenching Bucket, 3 Weld-On Teeth.....</b> | <b>1.92</b> | <b>195</b> | <b>\$955.82</b>   | <b>\$0.00</b> |
| 7333254   | <b>20" Trenching Bucket, Smooth Lip.....</b>      | <b>2.53</b> | <b>226</b> | <b>\$1,017.44</b> | <b>\$0.00</b> |
| 7333255   | <b>20" Trenching Bucket, 4 Bolt-On Teeth.....</b> | <b>2.53</b> | <b>230</b> | <b>\$1,017.44</b> | <b>\$0.00</b> |
| <b>(M06 Pin-On Style)</b>   |   |             |            |                   |               |
| 6715495   | <b>9" Trenching Bucket, 2 Bolt-On Teeth.....</b>  | <b>0.5</b>  | <b>53</b>  | <b>\$546.00</b>   | <b>\$0.00</b> |
| 6715496   | <b>12" Trenching Bucket, 3 Bolt-On Teeth.....</b> | <b>0.7</b>  | <b>63</b>  | <b>\$604.00</b>   | <b>\$0.00</b> |

Loader Attachments

(406 Pin-On Style)

| Part Number | Description                                | SAE Heaped Capacity (FT <sup>3</sup> ) | Ship WGT. | Retail Price in US \$ | Labor  |
|-------------|--|--|-----------|-----------------------|--------|
| 6715495     | 9" Trenching Bucket, 2 Bolt-On Teeth.....  | 0.5                                    | 53        | \$546.00              | \$0.00 |
| 6715496     | 12" Trenching Bucket, 3 Bolt-On Teeth..... | 0.7                                    | 63        | \$604.00              | \$0.00 |
| 6715497     | 16" Trenching Bucket, 3 Bolt-On Teeth..... | 1.1                                    | 75        | \$663.00              | \$0.00 |
| 7109522     | 18" Trenching Bucket, 4 Bolt-On Teeth..... | 1.3                                    | 90        | \$682.00              | \$0.00 |
| 6715498     | 20" Trenching Bucket, 4 bolt-on teeth..... | 1.4                                    | 85        | \$721.00              | \$0.00 |

Note: These buckets are the same buckets used with 322 excavator.

**Backhoe Buckets - Order From Sales**

| Part Number | Description | SAE Heaped Capacity (FT <sup>3</sup> ) | Ship WGT. | Retail Price in US \$ | Labor |
|-------------|-------------|--|-----------|-----------------------|-------|
|-------------|-------------|--|-----------|-----------------------|-------|

Backhoe Buckets – Current (Continued)

(7BH/607 X-Change™ Style)

|         |  |      |     |            |        |
|---------|--|------|-----|------------|--------|
| 7333229 | 12" Trenching Bucket, Smooth Lip.....  | 1.33 | 167 | \$912.61   | \$0.00 |
| 7333230 | 12" Trenching Bucket, 3 Weld-On Teeth  | 1.33 | 173 | \$912.61   | \$0.00 |
| 7333244 | 16" Trenching Bucket, Smooth Lip       | 1.92 | 192 | \$955.82   | \$0.00 |
| 7333245 | 16" Trenching Bucket, 3 Weld-On Teeth  | 1.92 | 195 | \$955.82   | \$0.00 |
| 7333254 | 20" Trenching Bucket, Smooth Lip       | 2.53 | 226 | \$1,017.44 | \$0.00 |
| 7333255 | 20" Trenching Bucket, 4 Bolt-On Teeth  | 2.53 | 230 | \$1,017.44 | \$0.00 |
| 7333259 | 24" Trenching Bucket, Smooth Lip       | 3.14 | 254 | \$1,109.37 | \$0.00 |
| 7333260 | 24" Trenching Bucket, 4 Weld-On Shanks | 3.14 | 255 | \$1,109.37 | \$0.00 |

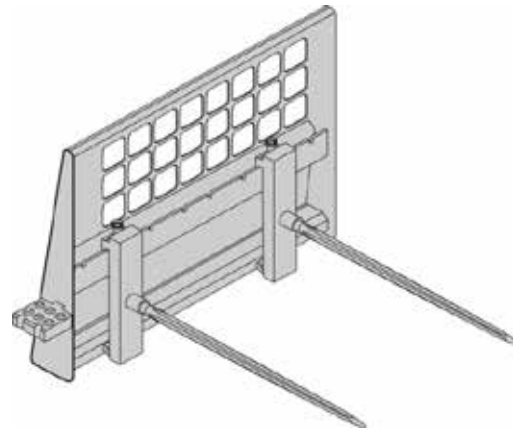
Note: These buckets are the same buckets used with 322 excavator.

(709/9BH/8709/811/8811 X-Change™ Style)

|         |  |      |     |            |        |
|---------|--|------|-----|------------|--------|
| 7323832 | 12" Trenching Bucket, Smooth Lip       | 1.6  | 178 | \$1,221.81 | \$0.00 |
| 7323833 | 12" Trenching Bucket, 3 Weld-On Shanks | 1.6  | 184 | \$1,221.81 | \$0.00 |
| 7324829 | 16" Trenching Bucket, Smooth Lip       | 2.31 | 206 | \$1,256.42 | \$0.00 |
| 7324830 | 16" Trenching Bucket, 4 Weld-On Shanks | 2.31 | 208 | \$1,256.42 | \$0.00 |
| 7323841 | 18" Trenching Bucket, Smooth Lip       | 2.68 | 226 | \$1,376.46 | \$0.00 |
| 7323842 | 18" Trenching Bucket, 4 Weld-On Shanks | 2.68 | 231 | \$1,376.46 | \$0.00 |
| 7323820 | 20" Trenching Bucket, Smooth Lip       | 3.05 | 241 | \$1,433.78 | \$0.00 |
| 7323821 | 20" Trenching Bucket, 4 Weld-On Shanks | 3.05 | 244 | \$1,433.78 | \$0.00 |
| 7323529 | 24" Trenching Bucket, Smooth Lip       | 3.8  | 238 | \$1,482.40 | \$0.00 |
| 7323530 | 24" Trenching Bucket, 4 Weld-On Shanks | 3.8  | 274 | \$1,482.40 | \$0.00 |
| 7323822 | 30" Trenching Bucket, Smooth Lip       | 4.91 | 319 | \$1,651.05 | \$0.00 |
| 7323823 | 30" Trenching Bucket, 5-Weld-On Shanks | 4.91 | 325 | \$1,651.05 | \$0.00 |
| 7323824 | 36" Trenching Bucket, Smooth Lip       | 6.02 | 365 | \$1,797.10 | \$0.00 |
| 7323825 | 36" Trenching Bucket, 6 Weld-On Shanks | 6.02 | 365 | \$1,797.10 | \$0.00 |
| 7333657 | 36" Grading Bucket, No Teeth           | 6.33 | 355 | \$1,701.87 | \$0.00 |

Note: These buckets are the same buckets used with 331, 331E and 334 excavators.

**Bale Forks  
Bobcat Loader Attachment**



Bale Forks with Pallet Fork Frame

**Quick Specs**

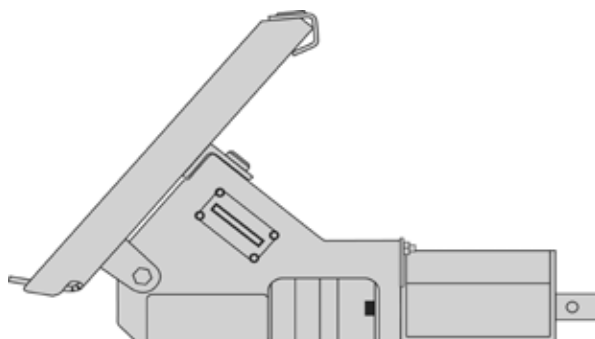
|                         |   |
|-------------------------|---|
| Weight Forks.....       | 100 lbs                                     |
| Operating Capacity..... | Based on Machine's rated operating capacity |
| Length of Fork.....     | 40.8"                                       |

| Part Number | Description | Attachment | Retail Price in US \$ | Labor |
|-------------|-------------|------------|-----------------------|-------|
|-------------|-------------|------------|-----------------------|-------|

(S100, S130, S150, S160, S175, S185, S205) (S510, S530, S550, S570, S590, S595, S630, S650, S740, S750, S590, S595, S630, S650, S740, S750, S770, S850) (A770) (S62, S64, S66, S76) (T140, T180, T190) (T630, T650, T740, T750, T770, T870) (T62, T64, T66, T76)

|         |  |  |            |        |
|---------|--|--|------------|--------|
| 6815781 | Bale Forks, Set of 2<br>(Must also order pallet fork frame p/n 6712927 or 7109332) |  | \$1,006.94 | \$0.00 |
|---------|--|--|------------|--------|

**Boring Unit  
Bobcat Loader Attachment**



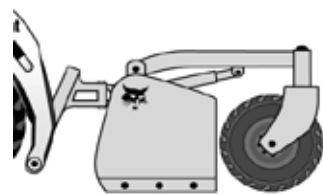
Loader Attachments

**Quick Specs**

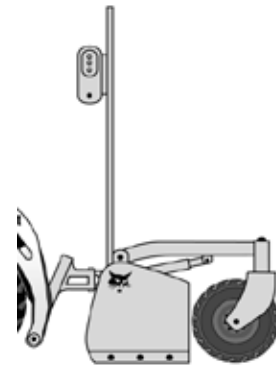
Operating Weight (without bit)..... 130 lbs  
 Overall Width..... 36"  
 Overall Height..... 17.5"  
 Overall Length..... 26.75"  
 Maximum recommended boring distance..... 30'

| Part Number   | Description                          | Attachment  | Retail Price in US \$ | Labor  |
|---|--------------------------------------|-------------|-----------------------|--------|
| (MT50, MT52, MT55, MT85, MT100) (S70) (L23, L28)<br>7110098 |                                      | Boring Unit | \$3,082.11            | \$0.00 |
|   | (Includes drive unit and guide tool) |             |                       |        |

**Box Blade  
 Bobcat Loader Attachment**



*Box Blade*



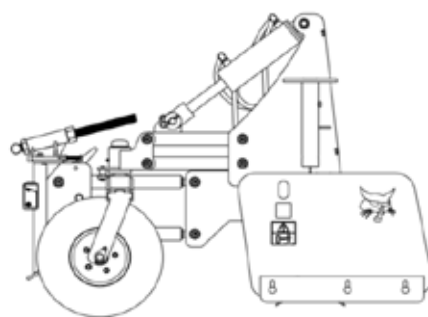
*Box Blade with Laser Receiver*

**Quick Specs**

|  | <u>Box Blade</u>  | <u>Box Blade with Laser Receiver</u> |
|--|-------------------|--------------------------------------|
| Operating Weight.....                  | 980 lbs. (445 kg) | 1020 lbs. (464 kg)                   |
| Height.....                            | 32.0" (813 mm)    | 32.0" (813 mm)                       |
| Width.....                             | 85.5" (2173 mm)   | 85.5" (2173 mm)                      |
| Moldboard Width.....                   | 84.0" (2134 mm)   | 84.0" (2134 mm)                      |
| Moldboard Cutting Edge (Reversible)... | 1/2" x 6"         | 1/2" x 6"                            |
| Grade Accuracy with Laser.....         | N/A               | +/- 1/4"                             |

| Part Number   | Description  | Attachment | Retail Price in US \$ | Labor  |
|---|--|------------|-----------------------|--------|
| (S150, S160, S175, S185, S205) (S510, S530, S550, S570, S590, S595, S630, S650, S740, S750, S770) (S62, S64, S66, S76) (A770) (T140, T180, T190) (T450, T550, T590, T595, T630, T650) (T62, T64, T66, T76)<br>6906574 | <b>84" Box Blade</b><br>(Used for rough grading and landscaping)   |            | \$5,479.36            | \$0.00 |
| (S150, S160, S175, S185, S205) (S510, S530, S550, S570, S590, S595, S630, S650, S740, S750, S770) (S62, S64, S66, S76) (A770) (T140, T180, T190) (T450, T550, T590, T595, T630, T650) (T62, T64, T66, T76)<br>6906676 | <b>84" Box Blade With Laser Mounting</b><br>(Must also order receiver p/n 7160486) (May also need laser transmitter and tripod—unless customer has this equipment.) (The laser receiver will work with most rotating laser beacons) (Loader must be equipped with an Attachment Control Kit – See Page 1 or 2) (If installing on loader with 14-Pin Attachment Control, must also order 14-Pin Attachment T-Harness P/N 7164095) |            | \$8,466.93            | \$0.00 |

**HD Box Blade  
 Bobcat Loader Attachment**



**Quick Specs**

Operating Weight ..... 1384 lb (628 kg)  
 Box Height ..... 19.0 in (483 mm)  
 Front Box Capacity ..... 7.0 ft³ (0.48 m³)  
 Rear Box Capacity ..... 10.0 ft³ (0.28 m³)  
 Unit Height..... 46.0 in (1168 mm)  
 Unit Length ..... 62.0 in (1575 mm)  
 Working Width..... 84.0 in (2134 mm)  
 Minimum Flow ..... 5.0 gpm (19 lpm)  
 Maximum Flow ..... 40.0 gpm (151 lpm)

| Part | Attachment | Labor |
|------|------------|-------|
|------|------------|-------|

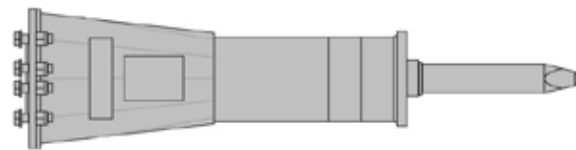
| Number   | Description  | Retail Price in US \$ |
|--|--|-----------------------|
| (S550, S570, S590, S595, S630, S650, S740, S750, S770, S850) (S62, S64, S66, S76) (A770) (T550, T590, T595, T630, T650, T740, T750, T770, T870) (T62, T64, T66, T76) |  |                       |
| 7357063  | <b>84" HD Box Blade</b><br>(Approved for use only on BICS loaders.) (includes integrated laser control) (May also need laser transmitter and tripod—unless customer has this equipment.) (The laser receivers will work with most rotating laser beacons) (Loader must be equipped with an Attachment Control Kit) (If installing on loader with 14-Pin Attachment Control, must also order 14-Pin Attachment T-Harness P/N 7164095) | \$20,366.10 \$0.00    |

| Part Number | Description   | Retail Price in US \$ | Labor  |
|-------------|---|-----------------------|--------|
| 7275232     | <b>Laser Transmitter, Dual Slope</b><br>(Trimble GL422N; includes CR700 receiver)   | \$4,034.94            | \$0.00 |
| 6688806     | <b>Tripod</b>   | \$402.62              | \$0.00 |
| 7160486     | <b>Laser Receiver, BLR2</b><br>Includes 1 BLR2 receiver and case. (Must order 2 for use with laser kit) (May also need a laser transmitter and tripod—unless customer has this equipment) (The laser receivers will work with most rotating laser transmitters) | \$2,682.06            | \$0.00 |
| 7370490     | <b>Laser Receiver Mount Kit</b><br>Includes 2 poles and receiver harnesses. (Required for Laser Grading System)   | \$1,162.18            | \$0.00 |
| 7370491     | <b>3D Ready Sensor Kit</b><br>(Includes: AS400 Slope Sensor, Bracket, and Harness. For use with the 3D Grading System)<br>(Not needed if using Dual GPS)  | \$3,938.08            | \$0.00 |
| 7370492     | <b>3D Kit</b><br>(Mount Kit for 3D Radio and Quick Disconnects for GPS and UTS 3D Grading System)   | \$173.12              | \$0.00 |

| Parts Needed to Equip Bobcat Graders and Boxblades with Guidance Systems |   |                          |  |  |   |  |
|--|---|--------------------------|--|--|---|--|
|  | 2D Laser Guiding  | 3D Dual GPS              | 3D Single GPS  | 3D UTS   | Sonic & Slope   | SITECH dealer needed for setup   |
| <b>Box Blade</b>   | Not Compatible  | Not Compatible           | Not Compatible   | Not Compatible   | Not Compatible  | Not Compatible   |
| <b>Box Blade w/Laser</b>   | Quantity: 1 BLR2 Laser Receiver - 7160486                                   | Not Compatible           | Not Compatible   | Not Compatible   | Not Compatible  | Not Compatible   |
| <b>84" Grader</b>  | Laser Mounting Kit - 7164094 Quantity: 2 BLR2 Laser Receivers-7160486       | Not Compatible           | Not Compatible   | Not Compatible   | Not Compatible  | Not Compatible   |
| <b>96" &amp; 108" HD Grader</b>  | Laser Mounting Kit - 7177685 Quantity: 2 BLR2 Laser Receivers-7160487       | 3D Harness Kit - 7276541 | 3D Sensor Kit - 7276540 3D Mounting Kit - 7306968 3D Harness Kit - 7276541 | 3D Sensor Kit - 7276540 3D Mounting Kit - 7306968 3D Harness Kit - 7276541 | Sonic Tracer & Slope Sensor Package - 7023454 Sonic Tracer & Slope Mounting Kit - 7211624 | Yes for 3D Grading system System's (3D Single GPS, 3D Dual GPS and 3D UTS) |
| <b>HD Box Blade</b>  | Laser Mounting Kit - 7370490 Quantity: 2 BLR2 Laser Receivers-7160488       | 3D Harness Kit - 7276541 | 3D Sensor Kit - 7370491 3D Mounting Kit - 7370492                          | 3D Sensor Kit - 7370491 3D Mounting Kit - 7370492                          | Not Compatible  | Yes for 3D Grading system System's (3D Single GPS, 3D Dual GPS and 3D UTS) |
| <b>Tripod - 6688806</b>  | Needed for all Laser guidance systems if customer does not have these items |                          |  |  |   |  |
| <b>Laser Transmitter Dual Slope - 7275232</b>                            | Needed for all Laser guidance systems if customer does not have these items |                          |  |  |   |  |

**Breaker, Hydraulic  
Bobcat Loader Attachment**





**Quick Specs**

|  | <u><b>HB680</b></u>  | <u><b>HB880</b></u>  | <u><b>HB980</b></u>  |
|--|----------------------|----------------------|----------------------|
| Operating Weight (nail point/loader frame).....          | 436 lbs              | 681 lbs              | 756 lbs              |
| Operating Weight (nail point/Loader X-Change frame)..... | 483 lbs              | 689 lbs              | 764 lbs              |
| Impact Energy Class.....                                 | 150 ft. lb           | 300 ft. lb           | 500 ft. lb           |
| CIMA Tool Energy Rating.....                             | 143 ft. lb           | 207 ft. lb           | 282 ft. lb           |
| Blows per Minute.....                                    | 1340 @ 13 gpm        | 1310 @ 17 gpm        | 1450 @ 21 gpm        |
| Flow Requirements.....                                   | 7-13 gpm             | 8-17 gpm             | 12-21 gpm            |
| Tool Working Length.....                                 | 13.0"                | 13.0"                | 14.0"                |
| Tool Diameter.....                                       | 2.2"                 | 2.6"                 | 2.8"                 |
| <i>Estimated Breaker Performance with Concrete</i>       |                      |                      |                      |
| Recommended Working Thickness.....                       | 2 - 4"               | 4 - 10"              | 6 - 14"              |
| <i>Demolished Volume per Hour</i>                        |                      |                      |                      |
| Non-Reinforced Concrete.....                             | 1 - 4 cu. yd         | 4 - 12 cu. yd        | 5 - 15 cu. yd        |
| Reinforced Concrete.....                                 | 1 - 3 cu. yd         | 1 - 4 cu. yd         | 2 - 6 cu. yd         |
|  | <u><b>HB1180</b></u> | <u><b>HB1380</b></u> | <u><b>HB2380</b></u> |
| Operating Weight (nail point/loader frame).....          | 939 lbs              | 1129 lbs             | 1183 lbs             |
| Operating Weight (nail point/Loader X-Change frame)..... | N/A                  | N/A                  | N/A                  |
| Impact Energy Class.....                                 | 750 ft. lb           | 850 ft. lb           | 1000 ft. lb          |
| CIMA Tool Energy Rating.....                             | 384 ft. lb           | 515 ft. lb           | 700 ft. lb           |
| Blows per Minute.....                                    | 1280 @ 26 gpm        | 1230 @ 32 gpm        | 910 @ 33 gpm         |
| Flow Requirements.....                                   | 15-26 gpm            | 17-32 gpm            | 20-33 gpm            |
| Tool Working Length.....                                 | 16.0"                | 17.0"                | 18.0"                |
| Tool Diameter.....                                       | 3.0"                 | 3.4"                 | 3.8"                 |
| <i>Estimated Breaker Performance with Concrete</i>       |                      |                      |                      |
| Recommended Working Thickness.....                       | 8 - 16"              | 10 - 18"             | 12 - 20"             |
| <i>Demolished Volume per Hour</i>                        |                      |                      |                      |
| Non-Reinforced Concrete.....                             | 6 - 15 cu. yd        | 8 - 18 cu. yd        | 10 - 20 cu. yd       |
| Reinforced Concrete.....                                 | 2 - 7 cu. yd         | 3 - 8 cu. yd         | 4 - 9 cu. yd         |

| Part Number   | Description | HB680 Breaker   | Retail Price in US \$ | Labor  |
|---|-------------|---|-----------------------|--------|
| (MT50, MT52, MT55, MT85, MT100) (S70) (L23, L28)<br>7113419 |             | <b>HB680 Breaker</b><br>(Includes Nail Point, fixing cap bolts, cradle, isolation mount, gauge tool, retainer clip and hose protector) (Must also order Loader Mounting Frame and Hose Kit) (Special Applications Kit must be used when operating a Hydraulic Breaker) (When installing on MT50, must also order Shutdown Kit, p/n 6735945) | \$5,831.59            | \$0.00 |

| Part Number | Description | Dealer Installed Accessories - Order From Sales   | Retail Price in US \$ | Labor  |
|-------------|-------------|---|-----------------------|--------|
| 7113736     |             | <u><b>Mounting Frames - HB680</b></u><br><b>Bob-Tach Loader Mounting Frame</b><br>(Must also order a hose kit, P/N 6727411)   | \$977.13              | \$0.00 |
| 7272954     |             | <b>Breaker Frame CII, MT85, MT100</b><br>(Must also order a hose kit, P/N 6727411)  | \$907.21              | \$0.00 |
| 7150181     |             | <b>Loader X-Change Mounting Frame</b><br>(Uses X-Change pin-through design) (Must also order Breaker X-Change Mounting Cap p/n 7113656. This allows breaker with X-Change Mounting Cap to be installed on loader) (Must also order a hose kit, P/N 6727411) | \$1,298.64            | \$0.00 |
| 7113656     |             | <b>X-Change Mounting Cap</b>  | \$713.10              | \$0.00 |
| 6727411     |             | <u><b>Accessories - HB680</b></u><br><b>Hose Kit</b><br>(Includes hoses and quick couplers)   | \$279.43              | \$0.00 |

| Part Number  | Description | HB880 Breaker  | Retail Price in US \$ | Labor  |
|--|-------------|--|-----------------------|--------|
| (S100, S130, S150, S160, S175, S185, S205) (S450, S510, S530, S550, S570, S590, S595) (S62, S64, S66) (T110, T140, T180, T190) (T450, T550, T590, T595) (T62, T64, T66)<br>7113420 |             | <b>HB880 Breaker</b><br>(Includes Nail Point, fixing cap bolts, cradle, isolation mount, gauge tool, retainer clip and hose protector) (Must also order Loader Mounting Frame and Hose Kit) (Special Applications Kit must be used when operating a Hydraulic Breaker) | \$8,141.88            | \$0.00 |

| Part Number                           | Description | Dealer Installed Accessories - Order From Sales   | Retail Price in US \$ | Labor  |
|---------------------------------------|-------------|---|-----------------------|--------|
| <b><u>Mounting Frames – HB880</u></b> |             |   |                       |        |
| 7113737                               |             | <b>Loader Mounting Frame</b><br>(Breaker mounting frame allows for breaking horizontal or vertical surfaces) (Must also order a hose kit, P/N 7114764)  | \$1,039.22            | \$0.00 |
| 7113738                               |             | <b>Horizontal Loader Mounting Frame</b><br>(Recommended mounting frame for horizontal surface breaking only) (Must also order a hose kit, P/N 7114764)  | \$1,101.32            | \$0.00 |
| 7141800                               |             | <b>Loader X-Change Mounting Frame</b><br>(Allows breaker with X-Change Mounting Cap to be installed on loader, breaker can then be used on excavator and loader. Uses X-Change pin-through design) (Breaker mounting frame allows for breaking horizontal or vertical surfaces) (Must also order Breaker X-Change Mounting Cap P/N 7113657) (Must also order a hose kit, P/N 6728963) | \$1,382.96            | \$0.00 |
| 7113657                               |             | <b>X-Change Mounting Cap</b>  | \$736.95              | \$0.00 |
| <b><u>Accessories – HB880</u></b>     |             |   |                       |        |
| 7114764                               |             | <b>Hose Kit</b><br>(Ship Weight 20 lbs.)  | \$317.68              | \$0.00 |

| Part Number   | Description | HB980 Breaker  | Retail Price in US \$ | Labor  |
|---|-------------|--|-----------------------|--------|
| (S100, S130, S150, S160, S175, S185, S205) (S450, S510, S530, S550, S570, S590, S595, S630*, S650*, S740*, S750*, S770*) (A770*) (S62, S64, S66, S76) (T110, T140, T180, T190) (T450, T550, T590, T595, T630*, T650*, T740*, T750*, T770*) (T62, T64, T66, T76) |             |  |                       |        |
| 7113421   |             | <b>HB980 Breaker</b><br>(Includes Nail Point, fixing cap bolts, cradle, isolation mount, gauge tool, retainer clip and hose protector) (Must also order Loader Mounting Frame and Hose Kit) (Special Applications Kit must be used when operating a Hydraulic Breaker) | \$10,198.83           | \$0.00 |

\*May need to order Flow Control Valve Kit for M-Series, see below for details

| Part Number                           | Description | Dealer Installed Accessories - Order From Sales   | Retail Price in US \$ | Labor  |
|---------------------------------------|-------------|---|-----------------------|--------|
| <b><u>Mounting Frames – HB980</u></b> |             |   |                       |        |
| 7113737                               |             | <b>Loader Mounting Frame</b><br>(Breaker mounting frame allows for breaking horizontal or vertical surfaces) (Must also order a hose kit, P/N 7114764)  | \$1,039.22            | \$0.00 |
| 7113738                               |             | <b>Horizontal Loader Mounting Frame</b><br>(Recommended mounting frame for horizontal surface breaking only) (Must also order a hose kit, P/N 7114764)  | \$1,101.32            | \$0.00 |
| 7141800                               |             | <b>Loader X-Change Mounting Frame</b><br>(Allows breaker with X-Change Mounting Cap to be installed on loader, breaker can then be used on excavator and loader. Uses X-Change pin-through design) (Breaker mounting frame allows for breaking horizontal or vertical surfaces) (Must also order Breaker X-Change Mounting Cap P/N 7113657) (Must also order a hose kit, P/N 6728963) | \$1,382.96            | \$0.00 |
| 7113657                               |             | <b>X-Change Mounting Cap</b>  | \$736.95              | \$0.00 |
| <b><u>Accessories – HB980</u></b>     |             |   |                       |        |
| 7114764                               |             | <b>Hose Kit</b>   | \$317.68              | \$0.00 |

| Part Number  | Description | HB1180 Breaker  | Retail Price in US \$ | Labor  |
|--|-------------|---|-----------------------|--------|
| (S630, S650, S740, S750, S770, S850) (S76) (A770) (T630, T650, T740, T750, T770, T870) (T76) |             |   |                       |        |
| 7115923  |             | <b>HB1180 Breaker</b><br>(Includes Nail Point, fixing cap bolts, cradle, isolation mount, gauge tool, retainer clip and hose protector) (Must also order Loader Mounting Frame and Hose Kit) (Special Applications Kit must be used when operating a Hydraulic Breaker) | \$13,409.26           | \$0.00 |

| Part Number                           | Description | Dealer Installed Accessories - Order From Sales   | Retail Price in US \$ | Labor  |
|---------------------------------------|-------------|---|-----------------------|--------|
| <b><u>Mounting Frame – HB1180</u></b> |             |   |                       |        |
| 7115937                               |             | <b>Loader Mounting Frame</b><br>(Breaker mounting frame allows for breaking horizontal or vertical surfaces.) (Must also order a hose kit, P/N 7114764) | \$1,187.26            | \$0.00 |
| <b><u>Accessories – HB1180</u></b>    |             |   |                       |        |
| 7114764                               |             | <b>Hose Kit</b>   | \$317.68              | \$0.00 |

| Part Number  | Description | HB1380 Breaker  | Retail Price in US \$ | Labor  |
|--|-------------|---|-----------------------|--------|
| (S740, S750, S770, S850) (A770) (T740, T750, T770, T870) |             |   |                       |        |
| 7157576  |             | <b>HB1380 Breaker</b><br>(Includes Nail Point, fixing cap bolts, cradle, isolation mount, gauge tool, retainer clip and hose protector) (Must also order Loader Mounting Frame and Hose Kit) (Special Applications Kit must be used when operating a Hydraulic Breaker) | \$16,882.75           | \$0.00 |

| Part Number                           | Description | Dealer Installed Accessories - Order From Sales   | Retail Price in US \$ | Labor  |
|---------------------------------------|-------------|---|-----------------------|--------|
| <b><u>Mounting Frame – HB1380</u></b> |             |   |                       |        |
| 7115937                               |             | <b>Loader Mounting Frame</b><br>(Breaker mounting frame allows for breaking horizontal or vertical surfaces.) (Must also order a hose kit, P/N 7114764) | \$1,187.26            | \$0.00 |
| <b><u>Accessories – HB1380</u></b>    |             |   |                       |        |

| 7114764  | Hose Kit  | \$317.68              | \$0.00 |
|--|---|-----------------------|--------|
| Part Number  | Description   | Retail Price in US \$ | Labor  |
| <b>HB2380 Breaker</b>                                    |   |                       |        |
| (S740, S750, S770, S850) (A770) (T740, T750, T770, T870) |   |                       |        |
| 7133203  | <b>HB2380 Breaker</b><br>(Includes Nail Point, fixing cap bolts, cradle, isolation mount, gauge tool, retainer clip and hose protector) (Must also order Loader Mounting Frame and Hose Kit) (Special Applications Kit must be used when operating a Hydraulic Breaker) | \$20,448.72           | \$0.00 |
| Dealer Installed Accessories - Order From Sales          |   |                       |        |
| Part Number  | Description   | Retail Price in US \$ | Labor  |
| <b>Mounting Frame – HB2380</b>                           |   |                       |        |
| 7115937  | <b>Loader Mounting Frame</b><br>(Breaker mounting frame allows for breaking horizontal or vertical surfaces.) (Must also order a hose kit, P/N 7114764)   | \$1,187.26            | \$0.00 |
| <b>Accessories – HB2380</b>                              |   |                       |        |
| 7141851  | <b>Auto-Grease Kit</b>  | \$2,243.00            | \$0.00 |
| 7114764  | <b>Hose Kit</b>   | \$317.68              | \$0.00 |

**Breaker, Nitrogen  
Bobcat Loader Attachment**



**Quick Specs**

|  | <u>NB140</u>     | <u>NB 150</u>    | <u>NB160</u>    |
|--|------------------|------------------|-----------------|
| Operating Weight (nail point/loader frame).....          | 463 lbs          | 695 lbs          | 912 lbs         |
| Operating Weight (nail point/Loader X-Change frame)..... | 509 lbs          | 703 lbs          | 920 lbs         |
| Impact Energy Class.....                                 | 350 ft. lb       | 550 ft. lb       | 900 ft. lb      |
| AEM Tool Energy Rating.....                              | 243 ft. lb       | 303 ft. lb       | 592 ft. lb      |
| Blows per Minute.....                                    | 1,022 @ 13.2 gpm | 1,075 @ 20.4 gpm | 979 @ 23.3 gpm  |
| Flow Requirements.....                                   | 7-13 gpm         | 13-20 gpm        | 13-24 gpm       |
| Tool Working Length.....                                 | 14.6"            | 13.0"            | 18.4"           |
| Tool Diameter.....                                       | 2.2"             | 2.6"             | 2.8"            |
| <i>Estimated Breaker Performance with Concrete</i>       |                  |                  |                 |
| Recommended Working Thickness.....                       | 1 - 5"           | 6 - 15"          | 10 - 20"        |
| <i>Demolished Volume per Hour</i>                        |                  |                  |                 |
| Non-Reinforced Concrete.....                             | 1 - 4 cu. yds.   | 4 - 15 cu. yds.  | 6 - 20 cu. yds. |
| Reinforced Concrete.....                                 | 1 - 4 cu. yds.   | 1 - 6 cu. yds.   | 3 - 8 cu. yds.  |
| <br>   |                  |                  |                 |
|  | <u>NB170</u>     | <u>NB180</u>     |                 |
| Operating Weight (nail point/loader frame).....          | 1275 lbs         | 1395 lbs         |                 |
| Operating Weight (nail point/Loader X-Change frame)..... | N/A              | N/A              |                 |
| Impact Energy Class.....                                 | 1200 ft. lb      | 1500 ft. lb      |                 |
| AEM Tool Energy Rating.....                              | 759 ft. lb       | 996 ft. lb       |                 |
| Blows per Minute.....                                    | 965 @ 21.9 gpm   | 1,000 @ 29 gpm   |                 |
| Flow Requirements.....                                   | 11-24 gpm        | 15-30 gpm        |                 |
| Tool Working Length.....                                 | 21.9"            | 22.7"            |                 |
| Tool Diameter.....                                       | 3.2"             | 3.7"             |                 |
| <i>Estimated Breaker Performance with Concrete</i>       |                  |                  |                 |
| Recommended Working Thickness.....                       | 12 - 22"         | 14 - 24"         |                 |
| <i>Demolished Volume per Hour</i>                        |                  |                  |                 |
| Non-Reinforced Concrete.....                             | 8 - 20 cu. yds.  | 11 - 25 cu. yds. |                 |
| Reinforced Concrete.....                                 | 4 - 10 cu. yds.  | 5 - 16 cu. yds.  |                 |

| Part Number                                      | Description   | Retail Price in US \$ | Labor  |
|--|---|-----------------------|--------|
| <b>NB140 Breaker</b>                             |   |                       |        |
| (MT50, MT52, MT55, MT85, MT100) (S70) (L23, L28) |   |                       |        |
| 7355666  | <b>NB140 Breaker</b><br>(Includes Nail Point & fixing cap bolts) (Must also order Loader Mounting Frame and Hose Kit) (Special Applications Kit must be used when operating a Hydraulic Breaker) (When installing on MT50, must also order Shutdown Kit, p/n 6735945) | \$4,661.83            | \$0.00 |
| Dealer Installed Accessories - Order From Sales  |   |                       |        |
| Part Number                                      | Description   | Retail Price in US \$ | Labor  |
| <b>Mounting Frames – NB140</b>                   |   |                       |        |
| 7113736  | <b>Bob-Tach Loader Mounting Frame</b><br>(Must also order a hose kit, P/N 6727411)  | \$977.13              | \$0.00 |
| 7272954  | <b>Breaker Frame CII, MT85, MT100</b><br>(Must also order a hose kit, P/N 6727411)  | \$907.21              | \$0.00 |
| 7150181  | <b>Loader X-Change Mounting Frame</b><br>(Uses X-Change pin-through design) (Must also order Breaker X-Change Mounting Cap p/n 7113656. This allows breaker with X-Change Mounting Cap to be installed on loader) (Must also order a hose kit, P/N 6727411)           | \$1,298.64            | \$0.00 |
| 7113656  | <b>X-Change Mounting Cap</b>  | \$713.10              | \$0.00 |
| <b>Accessories – NB140</b>                       |   |                       |        |
| 6727411  | <b>Hose Kit</b><br>(Includes hoses and quick couplers)  | \$279.43              | \$0.00 |

| Part Number  | Description | Retail Price in US \$ | Labor |
|--|-------------|-----------------------|-------|
| <b>NB150 Breaker</b>   |             |                       |       |
| (S100, S130, S150, S160, S175, S185, S205) (S450, S510, S530, S550, S570, S590, S595) (S62, S64, S66) (T110, T140 T180, T190) (T450, T550, T590, T595) (T62, T64, T66) |             |                       |       |

|         |  |                   |               |
|---------|--|-------------------|---------------|
| 7234534 | <b>NB150 Breaker</b><br>(Includes Nail Point & fixing cap bolts) (Must also order Loader Mounting Frame and Hose Kit) (Special Applications Kit must be used when operating a Hydraulic Breaker) | <b>\$6,104.49</b> | <b>\$0.00</b> |
|---------|--|-------------------|---------------|

| Part Number | Description | Dealer Installed Accessories - Order From Sales | Retail Price in US \$ | Labor |
|-------------|-------------|---|-----------------------|-------|
|-------------|-------------|---|-----------------------|-------|

|                                       |   |  |            |        |
|---------------------------------------|---|--|------------|--------|
| <u><b>Mounting Frames – NB150</b></u> |   |  |            |        |
| 7113737                               | <b>Loader Mounting Frame</b><br>(Breaker mounting frame allows for breaking horizontal or vertical surfaces) (Must also order a hose kit, P/N 7114764)  |  | \$1,039.22 | \$0.00 |
| 7113738                               | <b>Horizontal Loader Mounting Frame</b><br>(Recommended mounting frame for horizontal surface breaking only) (Must also order a hose kit, P/N 7114764)  |  | \$1,101.32 | \$0.00 |
| 7141800                               | <b>Loader X-Change Mounting Frame</b><br>(Allows breaker with X-Change Mounting Cap to be installed on loader, breaker can then be used on excavator and loader. Uses X-Change pin-through design) (Breaker mounting frame allows for breaking horizontal or vertical surfaces) (Must also order Breaker X-Change Mounting Cap P/N 7113657) (Must also order a hose kit, P/N 6728963) |  | \$1,382.96 | \$0.00 |
| 7113657                               | <b>X-Change Mounting Cap</b>  |  | \$736.95   | \$0.00 |
| <u><b>Accessories – NB150</b></u>     |   |  |            |        |
| 7114764                               | <b>Hose Kit</b><br>(Ship Weight 20 lbs.)  |  | \$317.68   | \$0.00 |

| Part Number | Description | Dealer Installed Accessories - Order From Sales | Retail Price in US \$ | Labor |
|-------------|-------------|---|-----------------------|-------|
|-------------|-------------|---|-----------------------|-------|

|  |  |  |            |        |
|--|--|--|------------|--------|
| <b>NB160 Breaker</b>   |  |  |            |        |
| (S100, S130, S150, S160, S175, S185, S205) (S450, S510, S530, S550, S570, S590, S595, S630, S650, S740, S750, S770) (S62, S64, S66, S76) (A770) (T110, T140, T180, T190) (T450, T550, T590, T595, T630, T650, T740, T750, T770) (T62, T64, T66, T76) |  |  |            |        |
| 7234536  | <b>NB160 Breaker</b><br>(Includes Nail Point & fixing cap bolts) (Must also order Loader Mounting Frame and Hose Kit) (Special Applications Kit must be used when operating a Hydraulic Breaker) |  | \$7,646.14 | \$0.00 |

| Part Number | Description | Dealer Installed Accessories - Order From Sales | Retail Price in US \$ | Labor |
|-------------|-------------|---|-----------------------|-------|
|-------------|-------------|---|-----------------------|-------|

|                                       |   |  |            |        |
|---------------------------------------|---|--|------------|--------|
| <u><b>Mounting Frames – NB160</b></u> |   |  |            |        |
| 7113737                               | <b>Loader Mounting Frame</b><br>(Breaker mounting frame allows for breaking horizontal or vertical surfaces) (Must also order a hose kit, P/N 7114764)  |  | \$1,039.22 | \$0.00 |
| 7113738                               | <b>Horizontal Loader Mounting Frame</b><br>(Recommended mounting frame for horizontal surface breaking only) (Must also order a hose kit, P/N 7114764)  |  | \$1,101.32 | \$0.00 |
| 7141800                               | <b>Loader X-Change Mounting Frame</b><br>(Allows breaker with X-Change Mounting Cap to be installed on loader, breaker can then be used on excavator and loader. Uses X-Change pin-through design) (Breaker mounting frame allows for breaking horizontal or vertical surfaces) (Must also order Breaker X-Change Mounting Cap P/N 7113657) (Must also order a hose kit, P/N 6728963) |  | \$1,382.96 | \$0.00 |
| 7113657                               | <b>X-Change Mounting Cap</b>  |  | \$736.95   | \$0.00 |
| <u><b>Accessories – NB160</b></u>     |   |  |            |        |
| 7114764                               | <b>Hose Kit</b>   |  | \$317.68   | \$0.00 |

| Part Number | Description | Dealer Installed Accessories - Order From Sales | Retail Price in US \$ | Labor |
|-------------|-------------|---|-----------------------|-------|
|-------------|-------------|---|-----------------------|-------|

|  |  |  |             |        |
|--|--|--|-------------|--------|
| <b>NB170 Breaker</b>                                     |  |  |             |        |
| (S740, S750, S770, S850) (A770) (T740, T750, T770, T870) |  |  |             |        |
| 7355672  | <b>NB170 Breaker</b><br>(Includes Nail Point & fixing cap bolts) (Must also order Loader Mounting Frame and Hose Kit) (Special Applications Kit must be used when operating a Hydraulic Breaker) |  | \$11,642.57 | \$0.00 |

| Part Number | Description | Dealer Installed Accessories - Order From Sales | Retail Price in US \$ | Labor |
|-------------|-------------|---|-----------------------|-------|
|-------------|-------------|---|-----------------------|-------|

|                                       |   |  |            |        |
|---------------------------------------|---|--|------------|--------|
| <u><b>Mounting Frames – NB170</b></u> |   |  |            |        |
| 7115937                               | <b>Loader Mounting Frame</b><br>(Breaker mounting frame allows for breaking horizontal or vertical surfaces.) (Must also order a hose kit, P/N 7114764) |  | \$1,187.26 | \$0.00 |
| <u><b>Accessories – NB170</b></u>     |   |  |            |        |
| 7114764                               | <b>Hose Kit</b>   |  | \$317.68   | \$0.00 |

| Part Number | Description | Dealer Installed Accessories - Order From Sales | Retail Price in US \$ | Labor |
|-------------|-------------|---|-----------------------|-------|
|-------------|-------------|---|-----------------------|-------|

|  |  |  |             |        |
|--|--|--|-------------|--------|
| <b>NB180 Breaker</b>                                     |  |  |             |        |
| (S740, S750, S770, S850) (A770) (T740, T750, T770, T870) |  |  |             |        |
| 7355674  | <b>NB180 Breaker</b><br>(Includes Nail Point & fixing cap bolts) (Must also order Loader Mounting Frame and Hose Kit) (Special Applications Kit must be used when operating a Hydraulic Breaker) |  | \$13,285.26 | \$0.00 |

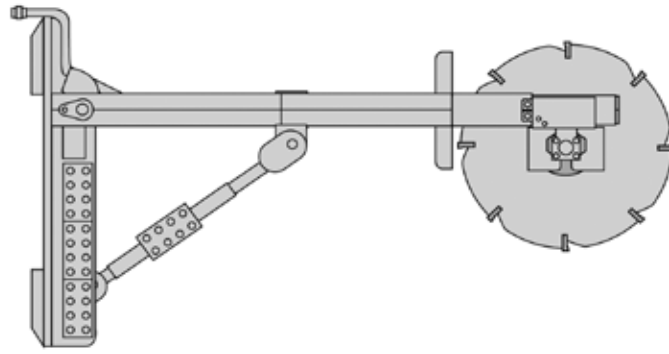
| Part Number | Description | Dealer Installed Accessories - Order From Sales | Retail Price in US \$ | Labor |
|-------------|-------------|---|-----------------------|-------|
|-------------|-------------|---|-----------------------|-------|

|                                       |   |  |            |        |
|---------------------------------------|---|--|------------|--------|
| <u><b>Mounting Frames – NB180</b></u> |   |  |            |        |
| 7115937                               | <b>Loader Mounting Frame</b><br>(Breaker mounting frame allows for breaking horizontal or vertical surfaces.) (Must also order a hose kit, P/N 7114764) |  | \$1,187.26 | \$0.00 |
| <u><b>Accessories – NB180</b></u>     |   |  |            |        |
| 7114764                               | <b>Hose Kit</b>   |  | \$317.68   | \$0.00 |

| Part Number | Description | Dealer Installed Accessories - Order From Sales | Retail Price in US \$ | Labor |
|-------------|-------------|---|-----------------------|-------|
|-------------|-------------|---|-----------------------|-------|

|                         |  |  |  |  |
|-------------------------|--|--|--|--|
| <u><b>Brush Saw</b></u> |  |  |  |  |
|-------------------------|--|--|--|--|

**Bobcat Loader Attachment**



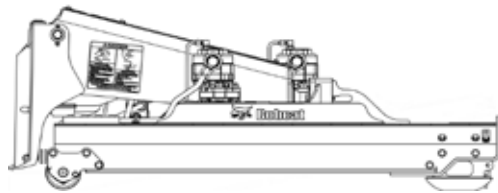
Top View

**Quick Specs**

|                                    |                       |
|------------------------------------|-----------------------|
| Operating Weight.....              | 590 lbs               |
| Number of Cutting Teeth.....       | 15                    |
| Tip Speed Cutting Teeth.....       | 3256 ft./min @ 24 gpm |
| Disc RPM @ 22 gpm.....             | 400 RPM               |
| Flow Range.....                    | 15 – 23 gpm           |
| Cutting Wheel (Disc) Diameter..... | 28.5"                 |
| Overall Width.....                 | 48.0"                 |
| Overall Length.....                | 85.0"                 |
| Overall Height.....                | 29.5"                 |

| Part Number   | Description | Attachment  | Retail Price in US \$ | Labor  |
|---|-------------|---|-----------------------|--------|
| (S100, S130, S150, S160, S175, S185, S205) (S450, S510, S530, S550, S570, S590, S595, S630, S650, S740, S750, S770, S850) (S62, S64, S66, S76) (A770) (T110, T140, T180, T190) (T450, T550, T590, T595, T630, T650, T740, T750, T770, T870) (T62, T64, T66, T76)<br>7121030 |             | <b>Brush Saw</b><br>(Special Applications kit must be installed on loader when operating Brush Saw) | \$8,845.27            | \$0.00 |

**Brushcat™ Rotary Cutter  
 Bobcat Loader Attachment**

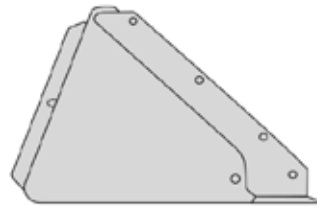


**Quick Specs**

|  | <u>RC66</u>   | <u>RC66HF</u> | <u>RC72</u> | <u>RC72HF</u> | <u>RC80HF</u> |
|--|---|---------------|-------------|---------------|---------------|
| Operating Weight.....                      | 1437 lbs  | 1437 lbs      | 1500 lbs    | 1500 lbs      | 1581 lbs      |
| Hydraulic Flow Range.....                  | 15-24 gpm   | 24-36 gpm     | 15-26 gpm   | 24-40 gpm     | 24-40 gpm     |
| Blade Tip Speed (Minimum Flow / ft./min).. | 11399   | 11394         | 9922        | 9922          | 10932         |
| Blade Tip Speed (Maximum Flow / ft./min).  | 18238   | 17064         | 17197       | 16536         | 18219         |
| Cutting Width.....                         | 66"   | 66"           | 72"         | 72"           | 80"           |
| Cutting Height.....                        | 3"  | 3"            | 3"          | 3"            | 3"            |
| Deck Length.....                           | 61.1"   | 61.1"         | 64.3"       | 64.3"         | 67.7"         |
| Vertical Travel.....                       | 8"  | 8"            | 8"          | 8"            | 8"            |
| Overall Width.....                         | 70.3"   | 70.3"         | 76.3"       | 76.3"         | 84.3"         |
| Overall Height.....                        | 26.5"   | 26.5"         | 26.5"       | 26.5"         | 26.5"         |
| Overall Length.....                        | 67.2"   | 67.2"         | 70.4"       | 70.4"         | 73.8"         |
| Cutting Capacity.....                      | Brush material up to 3 in. in diameter for all models |               |             |               |               |

| Part Number  | Description | Attachment   | Retail Price in US \$ | Labor  |
|--|-------------|--|-----------------------|--------|
| (S130, S150, S160, S175, S185, S205) (S450, S510, S530, S550, S570, S590, S595) (S62, S64, S66) (T140, T180, T190)<br>(T450, T550, T590, T595) (T62, T64, T66)<br>7234049  |             | <b>RC66 Brushcat Rotary Cutter</b><br>(Comes with 3" Offset Blades and Front Discs Assembled) (Cutting height of 3")   | \$8,337.59            | \$0.00 |
| (S160H, S175H, S185H, S205H) (S550H, S570H, S590H, S595H) (S62H, S64H, S66H) (T180H, T190H) (T550H, T590H, T595H) (T62H, T64H, T66H)<br>7233014  |             | <b>RC66HF Brushcat Rotary Cutter</b><br>(Comes with 3" Offset Blades and Front Discs Assembled) (Cutting height of 3") | \$9,220.31            | \$0.00 |
| (S185, S205) (S510, S530, S550, S570, S590, S595, S630, S650, S740, S750, S770, S850) (S62, S64, S66, S76) (T550, T590, T595, T630, T650, T740, T750, T770, T870) (T76) (T180, T190) (T62, T64, T66, T76) (A770)<br>7218087                  |             | <b>RC72 Brushcat Rotary Cutter</b><br>(Comes with 3" Offset Blades and Front Discs Assembled) (Cutting height of 3")   | \$8,757.24            | \$0.00 |
| (S185H, S205H) (S550H, S570H, S590H, S595H, S630H, S650H, S740H, S750H, S770H, S850H) (S62H, S64H, S66H, S76H) (T180H, T190H) (T550H, T590H, T595H, T630H, T650H, T740H, T750H, T770H, T870H) (A770H)<br>(T62H, T64H, T66H, T76H)<br>7233002 |             | <b>RC72HF Brushcat Rotary Cutter</b><br>(Comes with 3" Offset Blades and Front Discs Assembled) (Cutting height of 3") | \$9,456.22            | \$0.00 |
| (S630H, S650H, S740H, S750H, S770H, S850H) (S76H) (T630H, T650H, T740H, T750H, T770H, T870H) (A770H) (T76H)<br>7233092   |             | <b>RC80HF Brushcat Rotary Cutter</b><br>(Comes with 3" Offset Blades and Front Discs Assembled) (Cutting height of 3") | \$10,220.56           | \$0.00 |

**Bucket**  
**Bobcat Loader Attachment**



| Buckets - Order From Sales                        |  |                                 |        |           |                 |        | Labor |
|---|--|---------------------------------|--------|-----------|-----------------|--------|-------|
| Part Number                                       | Description  | SAE Capacity (FT <sup>3</sup> ) |        | Ship WGT. | tail Price in U |        |       |
|   |  | Struck                          | Heaped |           |                 |        |       |
| <b>(MT50, MT52, MT55, MT85, MT100) (L23, L28)</b> |  |                                 |        |           |                 |        |       |
| 6731520   | 36" Constr./Ind. Bucket *                                    | 3.18                            | 4      | 167       | \$700.00        | \$0.00 |       |
|   | (Not approved for use with 32" Utility Grapple, P/N 6728117) |                                 |        |           |                 |        |       |
| 7117432   | 36" Dirt Bucket *  | 3.7                             | 4.7    | 168       | \$796.80        | \$0.00 |       |
|   | (Not approved for use with 32" Utility Grapple, P/N 6728117) |                                 |        |           |                 |        |       |
| 7117433   | 44" Dirt Bucket *  | 4.6                             | 5.8    | 188       | \$844.50        | \$0.00 |       |
| 7114488   | 36" General Purpose Bucket *                                 | 4.5                             | 6      | 185       | \$843.25        | \$0.00 |       |
|   | (For use with 32" Utility Grapple, P/N 7125370)              |                                 |        |           |                 |        |       |
| 7272912   | Bucket GP 36" CII, MT85, MT100 *                             | 4.5                             | 6      | 185       | \$843.25        | \$0.00 |       |
|   | (For use with 32" Utility Grapple, P/N 7125370)              |                                 |        |           |                 |        |       |
| 7114581   | 44" General Purpose Bucket *                                 | 5.5                             | 7.4    | 207       | \$889.95        | \$0.00 |       |
|   | (For use with 32" Utility Grapple, P/N 7125370)              |                                 |        |           |                 |        |       |
| <b>(L23, L28) (MT55, MT85, MT100) (S70)</b>       |  |                                 |        |           |                 |        |       |
| 7387672   | 44" SAL Utility bucket *                                     | 8.1                             | 9.9    | 232       | \$824.98        | \$0.00 |       |
| <b>(L23, L28)</b>                                 |  |                                 |        |           |                 |        |       |
| 7387673   | 54" SAL Utility bucket *                                     | 10                              | 12.3   | 272       | \$932.01        | \$0.00 |       |
| 7387674   | 60" SAL Utility bucket *                                     | 11.1                            | 13.7   | 293       | \$1,000.14      | \$0.00 |       |
| <b>(S70, MT55, MT85, MT100) (L23, L28)</b>        |  |                                 |        |           |                 |        |       |
| 7117432   | 36" Dirt Bucket *  | 3.7                             | 4.7    | 168       | \$796.80        | \$0.00 |       |
| 7117433   | 44" Dirt Bucket *  | 4.6                             | 5.8    | 188       | \$844.50        | \$0.00 |       |
| 7114488   | 36" General Purpose Bucket *                                 | 4.5                             | 6      | 185       | \$843.25        | \$0.00 |       |
| 7114581   | 44" General Purpose Bucket *                                 | 5.5                             | 7.4    | 207       | \$889.95        | \$0.00 |       |
| <b>(S70, MT85, MT100) (L23, L28)</b>              |  |                                 |        |           |                 |        |       |
| 7272919   | Bucket GP 44" CII, MT85, MT100 *                             | 5.5                             | 7.4    | 207       | \$889.95        | \$0.00 |       |
| 7114583   | 50" General Purpose Bucket *                                 | 6.3                             | 8.5    | 223       | \$930.44        | \$0.00 |       |
| <b>(S100)</b>                                     |  |                                 |        |           |                 |        |       |
| 7117434   | 50" Dirt Bucket *  | 5.2                             | 6.6    | 202       | \$786.06        | \$0.00 |       |
| 7114582   | 50" General Purpose Bucket *                                 | 6.3                             | 8.5    | 223       | \$842.28        | \$0.00 |       |

D Buckets have holes predrilled to accept bolt-on cutting edges.  
 \* Buckets have holes predrilled to accept bolt-on cutting edges or bolt-on teeth.

| Loader Bucket Matrix         |  |               |         |         |         |            |         |         |         |             |         |         |         |                |         |         |         |         |         |         |   |
|------------------------------|--|---------------|---------|---------|---------|------------|---------|---------|---------|-------------|---------|---------|---------|----------------|---------|---------|---------|---------|---------|---------|---|
|                              |  | Standard Duty |         |         |         | Heavy Duty |         |         |         | Severe Duty |         |         |         | Light Material |         |         |         |         |         |         |   |
| Width (in)                   |  | 56            | 62      | 68      | 74      | 56         | 62      | 68      | 74      | 80          | 74      | 80      | 86      | 92             | 68      | 74      | 80      | 86      | 92      | 98      |   |
| Part #                       |  | 7272770       | 7272769 | 7272771 | 7272768 | 7293982    | 7272678 | 7272679 | 7272680 | 7272681     | 7326130 | 7326129 | 7326128 | 7326127        | 7279100 | 7279101 | 7279102 | 7279103 | 7279104 | 7279105 |   |
| SAE Heap                     |  | 10.7          | 12.0    | 13.3    | 14.5    | 13.7       | 15.3    | 16.9    | 18.5    | 20.1        | 23.5    | 24.8    | 26.2    | 27.5           | 24.9    | 27.3    | 29.7    | 32.1    | 34.5    | 36.9    |   |
| Oper. WGT                    |  | 318           | 336     | 354     | 373     | 442        | 476     | 508     | 546     | 578         | 762     | 806     | 849     | 892            | 589     | 632     | 669     | 706     | 744     | 782     |   |
| Skid Steer Loaders (SSLs)    |  | S450          | X       | X       | X       |            | X       | X       |         |             |         |         |         |                | X       |         |         |         |         |         |   |
|                              |  | S510          |         | X       | X       | X          |         | X       | X       | X           |         |         |         |                | X       | X       | X       | X       |         |         |   |
|                              |  | S530          |         | X       | X       | X          |         | X       | X       | X           |         |         |         |                | X       | X       | X       | X       |         |         |   |
|                              |  | S550          |         | X       | X       | X          |         | X       | X       | X           |         |         |         |                | X       | X       | X       | X       |         |         |   |
|                              |  | S570          |         | X       | X       | X          |         | X       | X       | X           |         |         |         |                | X       | X       | X       | X       |         |         |   |
|                              |  | S590          |         | X       | X       | X          |         | X       | X       | X           |         |         |         |                | X       | X       | X       | X       |         |         |   |
|                              |  | S595          |         | X       | X       | X          |         | X       | X       | X           |         |         |         |                | X       | X       | X       | X       |         |         |   |
|                              |  | S62           |         | X       | X       | X          |         | X       | X       | X           |         |         |         |                | X       | X       | X       | X       |         |         |   |
|                              |  | S64           |         |         | X       | X          |         |         | X       | X           |         |         |         |                | X       | X       | X       | X       |         |         |   |
|                              |  | S66           |         |         | X       | X          |         |         | X       | X           |         |         |         |                | X       | X       | X       | X       |         |         |   |
|                              |  | S630          |         |         | X       | X          |         |         | X       | X           | X       |         | X       | X              | X       | X       | X       | X       |         |         |   |
|                              |  | S650          |         |         | X       | X          |         |         | X       | X           | X       |         | X       | X              | X       | X       | X       | X       |         |         |   |
|                              |  | S76           |         |         | X       | X          |         |         | X       | X           | X       |         | X       | X              | X       | X       | X       | X       |         |         |   |
|                              |  | S750          |         |         |         |            |         |         | X       | X           | X       |         | X       | X              | X       | X       | X       | X       | X       | X       | X |
|                              |  | S770          |         |         |         |            |         |         | X       | X           | X       |         | X       | X              | X       | X       | X       | X       | X       | X       | X |
|                              |  | A770          |         |         |         |            |         |         | X       | X           | X       |         | X       | X              | X       | X       | X       | X       | X       | X       | X |
|                              |  | S850          |         |         |         |            |         |         |         |             | X       |         | X       | X              | X       |         | X       | X       | X       | X       | X |
| Compact Track Loaders (CTLs) |  | T450          | X       | X       | X       |            | X       | X       |         |             |         |         |         |                | X       |         |         |         |         |         |   |
|                              |  | T550          |         | X       | X       | X          |         | X       | X       |             |         | X       |         |                | X       | X       | X       | X       |         |         |   |
|                              |  | T590          |         | X       | X       | X          |         | X       | X       |             |         | X       |         |                | X       | X       | X       | X       |         |         |   |
|                              |  | T595          |         | X       | X       | X          |         | X       | X       |             |         | X       |         |                | X       | X       | X       | X       |         |         |   |
|                              |  | T62           |         | X       | X       | X          |         | X       | X       |             |         | X       |         |                | X       | X       | X       | X       |         |         |   |
|                              |  | T64           |         | X       | X       | X          |         | X       | X       |             |         | X       |         |                | X       | X       | X       | X       |         |         |   |
|                              |  | T66           |         | X       | X       | X          |         | X       | X       |             |         | X       |         |                | X       | X       | X       | X       |         |         |   |
|                              |  | T630          |         |         | X       | X          |         |         | X       | X           | X       |         |         |                | X       | X       | X       | X       |         |         |   |
|                              |  | T650          |         |         | X       | X          |         |         | X       | X           | X       |         |         |                | X       | X       | X       | X       |         |         |   |
|                              |  | T76           |         |         | X       | X          |         |         | X       | X           | X       |         |         |                | X       | X       | X       | X       |         |         |   |
|                              |  | T740          |         |         |         |            |         |         |         |             | X       | X       | X       | X              |         | X       | X       | X       | X       | X       |   |
|                              |  | T770          |         |         |         |            |         |         |         |             | X       | X       | X       | X              |         | X       | X       | X       | X       | X       |   |
| T870                         |  |               |         |         |         |            |         |         |         |             | X       | X       |         |                | X       | X       | X       | X       |         |         |   |

| Buckets - Order From Sales   |                            |                                 |        |           |                 |        | Labor |
|------------------------------|----------------------------|---------------------------------|--------|-----------|-----------------|--------|-------|
| Part Number                  | Description                | SAE Capacity (FT <sup>3</sup> ) |        | Ship WGT. | tail Price in U |        |       |
|                              |                            | Struck                          | Heaped |           |                 |        |       |
| <b>Standard Duty Buckets</b> |                            |                                 |        |           |                 |        |       |
| 7272770                      | 56" Standard Duty Bucket Δ | 8.1                             | 10.7   | 318       | \$1,027.30      | \$0.00 |       |

Loader Attachments

|         |                            |      |      |     |            |        |
|---------|----------------------------|------|------|-----|------------|--------|
| 7272769 | 62" Standard Duty Bucket Δ | 8.9  | 12   | 336 | \$1,080.96 | \$0.00 |
| 7272771 | 68" Standard Duty Bucket Δ | 9.8  | 13.3 | 354 | \$1,107.28 | \$0.00 |
| 7272768 | 74" Standard Duty Bucket Δ | 10.7 | 14.5 | 373 | \$1,177.82 | \$0.00 |

Heavy Duty Buckets

|         |                         |      |      |     |            |        |
|---------|-------------------------|------|------|-----|------------|--------|
| 7293982 | 56" Heavy Duty Bucket * | 10.2 | 13.7 | 442 | \$1,193.70 | \$0.00 |
| 7272678 | 62" Heavy Duty Bucket * | 11.3 | 15.3 | 476 | \$1,413.04 | \$0.00 |
| 7272679 | 68" Heavy Duty Bucket * | 12.4 | 16.9 | 508 | \$1,558.84 | \$0.00 |
| 7272680 | 74" Heavy Duty Bucket * | 13.5 | 18.5 | 546 | \$1,694.95 | \$0.00 |
| 7272681 | 80" Heavy Duty Bucket * | 14.7 | 20.1 | 578 | \$1,845.47 | \$0.00 |

Severe Duty Buckets

|         |                          |      |      |     |            |        |
|---------|--------------------------|------|------|-----|------------|--------|
| 7326130 | 74" Severe Duty Bucket * | 15.7 | 23.5 | 762 | \$2,051.19 | \$0.00 |
| 7326129 | 80" Severe Duty Bucket * | 17   | 24.8 | 806 | \$2,210.14 | \$0.00 |
| 7326128 | 86" Severe Duty Bucket * | 18.3 | 26.2 | 849 | \$2,562.05 | \$0.00 |
| 7326127 | 92" Severe Duty Bucket * | 19.6 | 27.5 | 892 | \$2,462.03 | \$0.00 |

Light Material Buckets

|         |                             |      |      |     |            |        |
|---------|-----------------------------|------|------|-----|------------|--------|
| 7279100 | 68" Light Material Bucket Δ | 19.1 | 24.9 | 589 | \$1,782.13 | \$0.00 |
| 7279101 | 74" Light Material Bucket Δ | 20.8 | 27.3 | 632 | \$1,884.96 | \$0.00 |
| 7279102 | 80" Light Material Bucket Δ | 22.5 | 29.7 | 669 | \$2,066.53 | \$0.00 |
| 7279103 | 86" Light Material Bucket Δ | 24.3 | 32.1 | 706 | \$2,202.64 | \$0.00 |
| 7279104 | 92" Light Material Bucket Δ | 38.4 | 50.2 | 864 | \$2,575.21 | \$0.00 |
| 7279105 | 98" Light Material Bucket Δ | 41   | 53.8 | 914 | \$2,871.53 | \$0.00 |

Δ Buckets have holes predrilled to accept bolt-on cutting edges.  
 \* Buckets have holes predrilled to accept bolt-on cutting edges or bolt-on teeth.

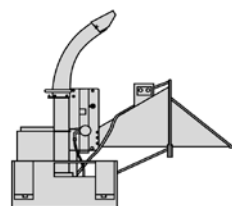
**Bucket Spill Guard  
 Bobcat Loader Attachment**

**Quick Specs**

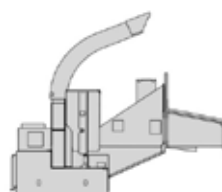
|                     |        |
|---------------------|--------|
| Operating Weight    | 27 lbs |
| Overall Width       | 59.75" |
| Width (Spill Guard) | 44"    |
| Overall Height      | 22.5"  |

| Part Number                             | Description | Attachment  | Retail Price in US \$ | Labor  |
|---|-------------|---|-----------------------|--------|
| (62 - 80" Heavy Duty Bucket)<br>7196474 |             | <b>Bucket Spill Guard, Standard</b><br>(Protects the operator, cab, tilt cylinders and Bob-Tach pivot area) (Includes a see through 44" Spill Guard and Hardware) | \$422.75              | \$0.00 |

**Chipper  
 Bobcat Loader Attachment**



5A Chipper



8B Chipper

**Quick Specs**

|  | 5A Chipper                     | 8B Chipper                     |
|--|--------------------------------|--------------------------------|
| Operating Weight.....                      | 1145 lbs                       | 1660 lbs                       |
| Feeder Opening.....                        | 5"                             | 9.2"                           |
| Continuous Chipping Size.....              | Up to 3" diameter material     | Up to 5" diameter material     |
| Feed Table Height.....                     | 23.5"                          | 25.4"                          |
| Discharge Chute Height.....                | 92"                            | 93.3"                          |
| Blades.....                                | 4 reversible tool steel blades | 4 reversible tool steel blades |
| Dual Mounting Locations.....               | Front or right side of loader  | Front or right side of loader  |
| Discharge Chute (Incl. End Deflector)..... | Rotates 360°                   | Rotates 360°                   |

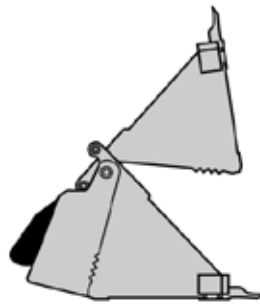
*Both chippers have automatic hydraulic feed, which includes speed control and load sensing system.*

| Part Number   | Description | Attachment   | Retail Price in US \$ | Labor  |
|---|-------------|--|-----------------------|--------|
| (S130, S150, S160, S175, S185, S205) (S450, S510, S530, S550, S570, S590, S595, S630, S650, S740, S750, S770, S850) (S62, S64, S66, S76) (A770) (T140, T180, T190) (T450, T550, T590, T595, T630, T650, T740, T750, T770, T870) (T62, T64, T66, T76)<br>6719129 |             | <b>5A Chipper</b><br>(Loader must be equipped with an Attachment Control Kit – See Page 1) (Attachment includes a 7-pin harness only) (Approved G-Series and newer Loaders only) | \$13,869.07           | \$0.00 |

|  |  |   |             |        |
|--|--|---|-------------|--------|
| (S160H, S185H, S205H) (S550H, S570H, S590H, S595H, S630H, S650H, S740H, S750H, S770H, S850H) (S62H, S64H, S66H, S76H) (A770H) (T180H, T190H) (T550H, T590H, T595H, T630H, T650H, T740H, T750H, T770H, T870H) (T62H, T64H, T66H, T76H)<br>7117662 |  | <b>8B Chipper</b><br>(Loader must be equipped with an 7-Pin Attachment Control Kit – See Page 1) (Approved G-Series and new Loaders only) | \$17,450.26 | \$0.00 |
|--|--|---|-------------|--------|

**Note:** 5A Chipper must be installed on 700-800 Series BICS Loaders. Will not function on non-BICS loaders, 953s or 963s. 700-800 Series Loaders prior to G-Series need a Remote Attachment Control Kit, P/N 6716566. 8B Chipper must be installed on G-Series and new loaders only.

**Combination Bucket  
 Bobcat Loader Attachment**



**Quick Specs**

|                          | <u>62"</u>   | <u>68"</u> | <u>74"</u> | <u>80"</u> | <u>84"</u> |
|--------------------------|--|------------|------------|------------|------------|
| Operating Weight.....    | 807 lbs  | 852 lbs    | 898 lbs    | 1075 lbs   | 1109 lbs   |
| Overall Width.....       | 62.5"  | 68.5"      | 74.5"      | 81.4"      | 85.4"      |
| SAE Capacity Heaped..... | 10.7 ft3   | 11.8 ft3   | 13.4 ft3   | 18.3 ft3   | 19.3 ft3   |
| Number of Teeth.....     | 7 bolt-on  | 7 bolt-on  | 8 bolt-on  | 8 bolt-on  | 9 bolt-on  |
| Max Clamping Force.....  | 8590 lbs   | 8590 lbs   | 8590 lbs   | 6834 lbs   | 6834 lbs   |
| Cutting Edges.....       | 62-84" include Bolt-On Cutting Edge on Dozer & back of Clamshell |            |            |            |            |

| Part Number   | Description | Attachment   | Retail Price in US \$ | Labor         |
|---|-------------|--|-----------------------|---------------|
| (S130, S150*, S160*, S175*, S185*) (S450, S510*, S530*, S550*, S570*, S590*, S595*) (T140) (T450)<br>7167310  |             | <b>62" Combination Bucket</b><br>(Bolt-on Teeth are available from Bobcat Parts) | <b>\$4,042.16</b>     | <b>\$0.00</b> |
| (S150, S160, S175, S185, S205) (S510, S530, S550, S570, S590, S595) (S630*, S650*, S740*, S750*, S770*) (S62, S64, S66, S76*) (T180, T190) (T550, T590, T595) (T62, T64, T66)<br>7167311      |             | <b>68" Combination Bucket</b><br>(Bolt-on Teeth are available from Bobcat Parts) | <b>\$4,301.95</b>     | <b>\$0.00</b> |
| (S150, S160, S175, S185, S205) (S550, S570, S590, S595, S630, S650, S740, S750, S770) (S62, S64, S66, S76) (A770) (T180, T190) (T550, T590, T595, T630, T650) (T62, T64, T66, T76)<br>7167312 |             | <b>74" Combination Bucket</b><br>(Bolt-on Teeth are available from Bobcat Parts) | <b>\$4,536.77</b>     | <b>\$0.00</b> |
| (S630, S650, S740, S750, S770) (S76) (A770) (T630, T650, T740, T750, T770) (T76)<br>7167313   |             | <b>80" Combination Bucket</b><br>(Bolt-on Teeth are available from Bobcat Parts) | <b>\$5,425.05</b>     | <b>\$0.00</b> |
| (S740, S750, S770) (A770) (T650, T740, T750, T770) (T76)<br>7167314   |             | <b>84" Combination Bucket</b><br>(Bolt-on Teeth are available from Bobcat Parts) | <b>\$6,070.84</b>     | <b>\$0.00</b> |

**\*Requires Inset Rims**

**Note:** Combination Buckets are not approved for use with the Tilt-Tatch.

**Note:** Combination Buckets may interfere with tracks at extreme roll-back position on some loaders. Use of lift-arm stop is required if this occurs.

**Note:** It is recommended that a port relief be installed for use with the Combination Buckets except when used on a 463, S70, S100, T100 or MT. Installation instructions are included in the Operation Manual.

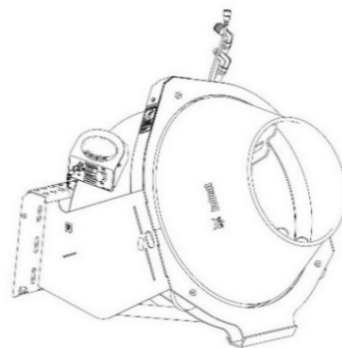
Order the following from Bobcat Parts.

- 6684646 Port relief (4000 psi) – for M-Series loaders, S450/T450 and larger
- 6684645 Port relief (3500 psi) – for G-Series through K-Series loaders with one-piece control valves (started April 2004)
- 6678574 Port relief (3500 psi) – for F-Series & G-Series loaders until April 2004

**Note:** Older loaders listed below will require the following parts, which must be ordered separately from Bobcat Parts.

- 6513594 Port Relief (for 740s with Gresen Valve)
- 6514641 Port Relief (for 843s with Cessna Valve)
- 6658127 Check Valve (for 853s with Apitech Valve)

**Concrete Mixer  
 Bobcat Loader Attachment**



**Quick Specs**

|                       |                                  |
|-----------------------|----------------------------------|
| Operating Weight..... | <u>Concrete Mixer</u><br>440 lbs |
|-----------------------|----------------------------------|



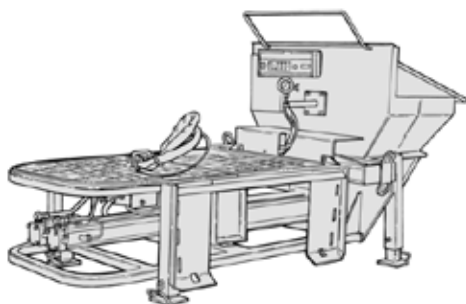
Loader Attachments

|                             |                     |
|-----------------------------|---------------------|
| Length.....                 | 43.2"               |
| Width.....                  | 45.2"               |
| Height.....                 | 40.1"               |
| Recommended Drum Speed..... | 20 RPM @ 11 gpm     |
| Capacity.....               | 6.9 cu. ft.         |
| Rotation.....               | Bi-rotational       |
| Chain.....                  | #50 standard roller |

| Part Number   | Description | Attachment   | Retail Price in US \$ | Labor  |
|---|-------------|--|-----------------------|--------|
| (S175, S185, S205, S220, S250, S300, S330) (S450, S510, S530, S550, S570, S590, S595, S630, S650, S740, S750, S770, S850) (S62, S64, S66, S76)(A300) (A770) (T180, T190, T250, T300, T320) (T450, T550, T590, T595, T630, T650, T740, T750, T770, T870) (T62, T64, T66, T76)<br>7186695 |             | <b>Concrete Mixer</b><br>(Loader must be equipped with a 7-pin Attachment Control Kit. – See Page 1 and 2)<br>(Attachment will not operate on competitive machines or 14-pin loaders) (Attachment includes a 7-Pin Harness only) | \$5,466.36            | \$0.00 |

**Note:** Concrete Mixer needs to be installed on BICS Loaders. Concrete Mixer will not function on non-BICS loaders, 953s or 963.

**Concrete Pump  
Bobcat Loader Attachment**



**Quick Specs**

|                           |             |                            |                    |
|---------------------------|-------------|----------------------------|--------------------|
| Operating Weight.....     | 2200 lbs    | Concrete Cylinder Diameter | 6.0"               |
| Length.....               | 102.9"      | Concrete Cylinder Stroke   | 24.0"              |
| Width.....                | 47.9"       | Swing Tube Diameter        | 5.0"               |
| Height.....               | 54.9"       | Concrete Placement         | 30 cu. yards/hour* |
| Hydraulic Flow Range..... | 15 - 40 GPM | Maximum Concrete Pressure  | 750 psi            |
| Hopper Capacity.....      | 10 cu. ft.  | Maximum Aggregate Size     | 1.5" or less       |

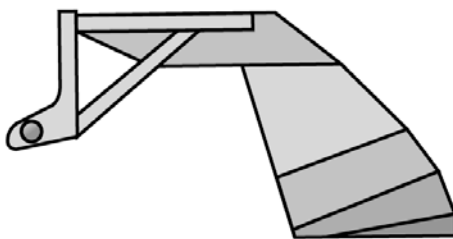
\*Volume output will vary depending on mix design, slump, line size, job site conditions and the loader's auxiliary hydraulic flow. Choose a high flow loader for optimum performance.

| Part Number   | Description | Attachment  | Retail Price in US \$ | Labor  |
|---|-------------|---|-----------------------|--------|
| (S185, S185H, S205, S205H) (S550, S550H, S570, S570H, S590, S590H, S595, S595H, S630, S630H, S650, S650H, S740, S740H, S750, S750H, S770, S770H, S850, S850H) (S62, S62H, S64, S64H, S66, S66H, S76, S76H) (A770, A770H) (T180, T180H, T190, T190H) (T550, T550H, T590, T590H, T595, T595H, T630, T630H, T650, T650H, T740, T740H, T750, T750H, T770, T770H, T870, T870H) (T62, T62H, T64, T64H, T66, T66H, T76, T76H)<br>7108693 |             | <b>Concrete Pump</b><br>(Loader must be equipped with an Attachment Control Kit – See Page 1 and 2) (Attachment includes a 7-Pin Harness only) (May also need Delivery System Kit-unless customer has this equipment) | \$32,518.56           | \$0.00 |

**Note:** Concrete Pump needs to be installed on 700-800, S185-S300, A220-A300, T180-T300 G-Series or newer BICS Loaders or 963 G-Series, will not function on F-Series or non-BICS loaders, 953s or 963 C-Series.

| Part Number | Description | Attachment   | Retail Price in US \$ | Labor   |
|-------------|-------------|--|-----------------------|---------|
| 6906079     |             | <b>Delivery System Kit</b><br>(Includes 5" elbow, 5" to 3" reducer, (3) 25 ft. sections of 3" flexible hose, 3" x 6' flexible hose, (3) 3" x 10' steel lines, (2) 5" couplings, (8) 3" couplings, 3" cleanout ball) (Ship Weight 640 lbs.) | \$7,968.31            | \$0.00  |
| 6906813     |             | <b>Remote Control Kit</b><br>(The hand held transmitter runs all functions of the Concrete Pump within a range of 200-400 feet from the pump.) (Ship Weight 8 lbs.)  | \$2,886.97            | \$90.00 |

**Digger  
Bobcat Loader Attachment**



**Quick Specs**

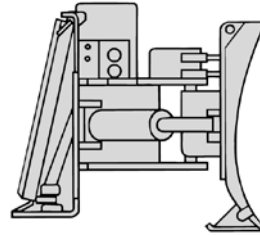
|                       |                       |                       |                       |                       |
|-----------------------|-----------------------|-----------------------|-----------------------|-----------------------|
| Operating Weight..... | <u>12S</u><br>200 lbs | <u>25"</u><br>290 lbs | <u>30"</u><br>307 lbs | <u>36"</u><br>325 lbs |
| Dig Depth.....        | 28"                   | 48"                   | 48"                   | 48"                   |

| Part Number                                      | Description | Attachment | Retail Price in US \$ | Labor |
|--|-------------|------------|-----------------------|-------|
| (MT50, MT52, MT55, MT85, MT100) (S70) (L23, L28) |             |            |                       |       |

Loader Attachments

|   |            |            |        |
|---|------------|------------|--------|
| 7100915   | 12S Digger | \$1,256.56 | \$0.00 |
| (S130, S150, S160, S175, S185, S205) (S450, S510, S530, S550, S570, S590, S595, S630, S650, S740, S750, S770) (S62, S64, S66, S76) (A770) (T140, T180, T190) (T450, T550, T590, T595) (T62, T64, T66) |            |            |        |
| 6719756   | 25" Digger | \$1,470.49 | \$0.00 |
| 6719757   | 30" Digger | \$1,547.32 | \$0.00 |
| 6719758   | 36" Digger | \$1,613.24 | \$0.00 |

**Dozer Blade  
Bobcat Loader Attachment**

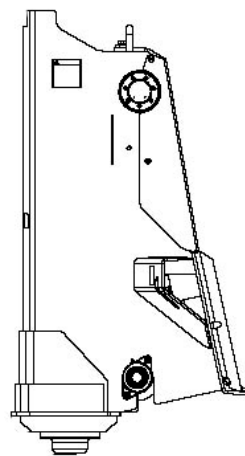


**Quick Specs**

|                                | 54"        | 80"        | 90"        | 96"        |
|--------------------------------|------------|------------|------------|------------|
| Operating Weight.....          | 310 lbs    | 950 lbs    | 987 lbs    | 1580 lbs   |
| Width.....                     | 54"        | 80"        | 90"        | 96"        |
| Width (Fully Angled).....      | 46.8"      | 69.3"      | 78.0"      | 83.5"      |
| Blade Height.....              | 20.0"      | 24.1"      | 24.2"      | 25.2"      |
| Overall Height.....            | 21.9"      | 24.9"      | 25.2"      | 27.7"      |
| Length.....                    | 28.7"      | 33.0"      | 33.0"      | 34.8"      |
| Oscillation.....               | 0°         | ± 8°       | ± 8°       | ± 10°      |
| Angle.....                     | ± 30°      | ± 30°      | ± 30°      | ± 30°      |
| Cutting Edge (reversible)..... | 0.38" x 4" | 0.5" x 6"  | 0.5" x 6"  | 0.63" x 6" |
| Cylinders.....                 | 1          | 3          | 3          | 3          |
| Skid Shoes.....                | Adjustable | Adjustable | Adjustable | Adjustable |

| Part Number   | Description   | Attachment | Retail Price in US \$ | Labor  |
|---|---|------------|-----------------------|--------|
| (MT50, MT52, MT55, MT85, MT100) (S70)<br>7196165  | 54" Utility Blade (with hydraulic angle)<br>(To be used as either a Snow Blade or a Dozer Blade)  |            | \$2,238.50            | \$0.00 |
| (S130, S150, S160, S175, S185, S205) (S450, S510, S530, S550, S570, S590, S595, S630, S650, S740, S750, S770)<br>(S62, S64, S66, S76) (T140, T180, T190) (T450, T550, T590, T595, T630, T650) (T62, T64, T66, T76)<br>6905884 | 80" Dozer Blade, 6-Way<br>(Loader must be equipped with an Attachment Control Kit – See Page 1 or 2) (When used on loaders equipped with a 14-Pin Attachment Control Kit, a 14-Pin Attachment T-Harness Kit is required – See Page 1) |            | \$6,543.75            | \$0.00 |
| (S530, S550, S570, S590, S595, S630, S650, S740, S750, S770) (S62, S64, S66, S76) (A770) (T550, T590, T595, T630, T650) (T62, T64, T66, T76)<br>6905811   | 90" Dozer Blade, 6-Way<br>(Loader must be equipped with an Attachment Control Kit – See Page 1 or 2) (When used on loaders equipped with a 14-Pin Attachment Control Kit, a 14-Pin Attachment T-Harness Kit is required – See Page 1) |            | \$7,064.43            | \$0.00 |
| (S630, S650, S740, S750, S770, S850) (S76) (A770) (T630, T650, T740, T750, T770, T870) (T76)<br>7105781   | 96" Dozer Blade, 6-Way<br>(Loader must be equipped with an Attachment Control Kit – See Page 1 or 2) (When used on loaders equipped with a 14-Pin Attachment Control Kit, a 14-Pin Attachment T-Harness Kit is required – See Page 1) |            | \$8,900.69            | \$0.00 |

**Drop Hammer  
Bobcat Loader Attachment**

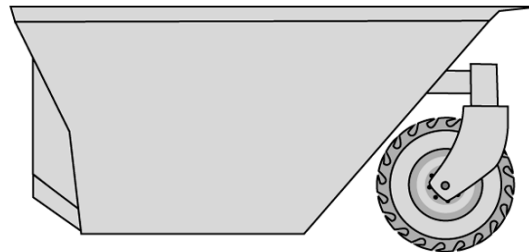


**Quick Specs**

|                                   |              |
|-----------------------------------|--------------|
| Overall Weight.....               | 1925 lbs     |
| Weight of Hammer.....             | 1140 lbs     |
| Height (Hammer fully raised)..... | 74"          |
| Length.....                       | 29"          |
| Hammer Stroke.....                | 38"          |
| Impact Energy Rating.....         | 3600 ft.-lbs |
| Required Flow.....                | 13 – 22 gpm  |
| Stroke Rate per Minute.....       | 20"          |
| Maximum Concrete Thickness.....   | 14-18        |
| Minimum Concrete Thickness.....   | 5"           |

| Part Number   | Description | Attachment  | Retail Price in US \$ | Labor  |
|---|-------------|-------------|-----------------------|--------|
| (S175, S185, S205) (S510, S530, S550, S570, S590, S595, S630, S650, S740, S750, S770, S850) (S62, S64, S66, S76) (A770) (T180, T190) (T550, T590, T595, T630, T650, T740, T750, T770, T870) (T62, T64, T66, T76)<br>7137810 |             | Drop Hammer | \$11,417.49           | \$0.00 |

**Dumping Hopper  
Bobcat Loader Attachment**

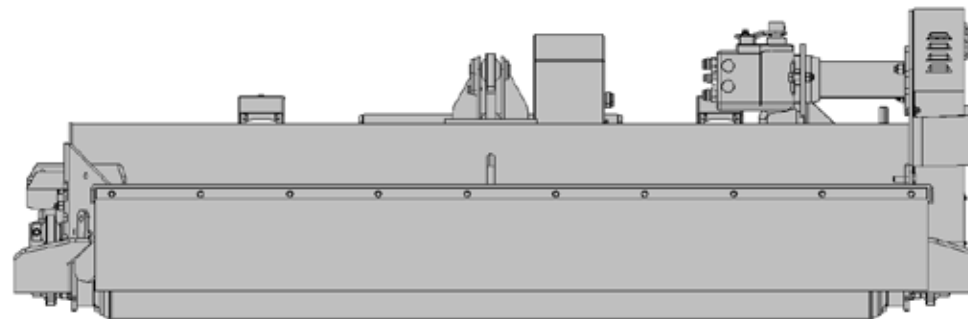


**Quick Specs**

|                        | <u>Model 10</u> | <u>Model 25</u> |
|------------------------|-----------------|-----------------|
| Operating Weight.....  | 665 lbs         | 1190 lbs        |
| Height.....            | 40"             | 40"             |
| Length.....            | 83"             | 83"             |
| Width.....             | 36"             | 84"             |
| Capacity - Struck..... | 25.7 cu. ft.    | 67.5 cu. ft.    |
| Capacity - Heaped..... | 29.7 cu. ft.    | 87.9 cu. ft.    |

| Part Number   | Description | Attachment  | Retail Price in US \$ | Labor  |
|---|-------------|---|-----------------------|--------|
| (S70, S100) (S450, S510, S530, S550, S570, S590) (S62, S64, S66) (T110) (T450) (L23, L28)<br>6727275  |             | Model 10 Dumping Hopper<br>(Includes 8.5 x 12 Bobcat Heavy Duty Tire) (Tire is not installed on Dumping Hopper.) (For S100 and T110 must also order Mounting Frame P/N 6729483) | \$4,021.44            | \$0.00 |
| (S130, S150, S160, S175, S185, S205) (S510, S530, S550, S570, S590, S595, S630, S650, S740, S750, S770, S850) (S62, S64, S66, S76) (A770) (T140, T180, T190) (T450, T550, T590, T595, T630, T650, T740, T750, T770, T870) (T62, T64, T66, T76)<br>6717597 |             | Model 25 Dumping Hopper<br>(Includes 8.5 x 12 Bobcat Heavy Duty Tires) (Tires are not installed on Dumping Hopper.)   | \$6,220.83            | \$0.00 |

**Flail Cutter  
Bobcat Loader Attachment**

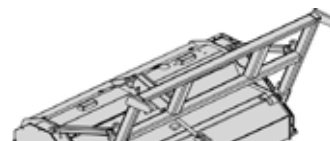


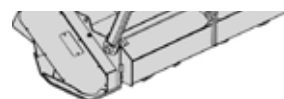
**Quick Specs**

|                       |  |
|-----------------------|--|
| Operating Weight..... | 1,640 lbs  |
| Cutting Width.....    | 78"  |
| Cutting Height.....   | 1.5" - 3"  |
| Overall Width.....    | 91"  |
| Flow.....             | 17 - 40 gpm  |
| Hammers.....          | 21   |
| Cutting Capacity..... | Brush material up to 3" in diameter                  |
| Blade Tip Speed.....  | 8200 ft./min. @ 2000 RPM<br>9000 ft./min. @ 2200 RPM |

| Part Number   | Description | Attachment         | Retail Price in US \$ | Labor  |
|---|-------------|--------------------|-----------------------|--------|
| (S175, S185, S185H, S205, S205H) (S510, S530, S550, S550H, S570, S570H, S590, S590H, S595, S595H, S630, S630H, S650, S650H, S740, S740H, S750, S750H, S770, S770H, S850, S850H) (S62, S62H, S64, S64H, S66, S66H, S76, S76H) (A770, A770H) (T180, T180H, T190, T190H) (T550, T550H, T590, T590H, T595, T595H, T630, T630H, T650, T650H, T740, T740H, T750, T750H, T770, T770H, T870, T870H) (T62, T62H, T64, T64H, T66, T66H, T76, T76H)<br>7101894 |             | FC200 Flail Cutter | \$16,209.81           | \$0.00 |

**Forestry Cutter  
Bobcat Loader Attachment**





**Quick Specs**

|                                       | <u>50"</u> | <u>60"</u> | <u>50" 2-Spd</u> | <u>60" 2-Spd</u> | <u>70" 2-Spd</u> |
|---------------------------------------|------------|------------|------------------|------------------|------------------|
| Operating Weight.....                 | 2,185 lbs  | 2,364 lbs  | 2,176 lbs        | 2,234 lbs        | 2,900 lbs        |
| Operating Weight with Front Gate..... | 2,227 lbs  | 2,497 lbs  | 2,218 lbs        | 2,367 lbs        | 3,065 lbs        |
| Cutting Width.....                    | 50"        | 60"        | 50"              | 60"              | 70"              |
| Overall Width.....                    | 62.1"      | 73.3"      | 62.1"            | 73.3"            | 84.4"            |
| Number of Teeth.....                  | 24         | 30         | 24               | 30               | 36               |
| Tree Diameter:                        |            |            |                  |                  |                  |
| Continuous Use.....                   | 4 – 5"     | 4 – 5"     | 4 – 5"           | 4 – 5"           | 4 – 5"           |
| Intermittent Removal.....             | 7 – 9"     | 7 – 9"     | 7 – 9"           | 7 – 9"           | 7 – 9"           |
| Occasional Removal.....               | 10 – 12"   | 10 – 12"   | 10 – 12"         | 10 – 12"         | 10 – 12"         |

| Part Number  | Description   | Attachment                          | Retail Price in US \$ | Labor    |
|--|---|-------------------------------------|-----------------------|----------|
| (S750H, S770H, S850H) (A770H) (T750H, T770H, T870H)<br>7194306 | <p><b>Forestry Cutter, 50"</b></p> <ul style="list-style-type: none"> <li>For iT4 and Tier 3 M-Series Loaders (S750H, S770H, S850H, A770H, T750H, T770H, T870H) must also order Forestry Applications Kit, M-Series (p/n 7230523) and Engine Compartment Seal Kit</li> <li>For Tier 4 M-Series Loaders (S750H, S770H, S850H, A770H, T750H, T770H, T870H) must also order Forestry Applications Kit, M-Series (p/n 7257723) and Engine Compartment Seal Kit</li> <li>Loader must be equipped with high flow and upgraded cooling system</li> <li>For K-Series Loaders (S300H, S330H, A300H, T250H, T300H, T320H) must also order Forestry Applications Kit, K-Series p/n 7131810</li> </ul> <p>(The following K-Series loader serial numbers must be equipped with the cooling system upgrade kit p/n 7126319 - order from Bobcat Parts: A300 s/n 539911675 &amp; below; T300 s/n 532015066 &amp; below; T250 s/n 531812826 &amp; below; S300 s/n 531115051 &amp; below) (All S330 loaders are equipped with the upgraded cooling system)<br/>                     (For loaders A300 s/n A5GW19999 and below; S300 A5GP19999 and below; S330 A5HA19999 and below; T250 A5GS19999 and below; T300 A5GU19999 and below; and T320 A7MP60000 and below must also order door wiring harness kit, p/n 7155443 from</p>         | <b>Forestry Cutter, 50"</b>         | \$30,855.16           | \$990.00 |
| (S750H, S770H, S850H) (A770H) (T750H, T770H, T870H)<br>7194305 | <p><b>Forestry Cutter, 60"</b></p> <ul style="list-style-type: none"> <li>For iT4 and Tier 3 M-Series Loaders (S750H, S770H, S850H, A770H, T750H, T770H, T870H) must also order Forestry Applications Kit, M-Series (p/n 7230523) and Engine Compartment Seal Kit</li> <li>For Tier 4 M-Series Loaders (S750H, S770H, S850H, A770H, T750H, T770H, T870H) must also order Forestry Applications Kit, M-Series (p/n 7257723) and Engine Compartment Seal Kit</li> <li>Loader must be equipped with high flow and upgraded cooling system</li> <li>For K-Series Loaders (S300H, S330H, A300H, T250H, T300H, T320H) must also order Forestry Applications Kit, K-Series p/n 7131810</li> </ul> <p>(The following K-Series loader serial numbers must be equipped with the cooling system upgrade kit p/n 7126319 - order from Bobcat Parts: A300 s/n 539911675 &amp; below; T300 s/n 532015066 &amp; below; T250 s/n 531812826 &amp; below; S300 s/n 531115051 &amp; below) (All S330 loaders are equipped with the upgraded cooling system)<br/>                     (For loaders A300 s/n A5GW19999 and below; S300 A5GP19999 and below; S330 A5HA19999 and below; T250 A5GS19999 and below; T300 A5GU19999 and below; and T320 A7MP60000 and below must also order door wiring harness kit, p/n 7155443 from</p>         | <b>Forestry Cutter, 60"</b>         | \$32,510.88           | \$990.00 |
| (S750H, S770H, S850H) (A770H) (T750H, T770H, T870H)<br>7204123 | <p><b>Forestry Cutter, 50" 2-Speed</b></p> <ul style="list-style-type: none"> <li>For iT4 and Tier 3 M-Series Loaders (S750H, S770H, S850H, A770H, T750H, T770H, T870H) must also order Forestry Applications Kit, M-Series (p/n 7230523) and Engine Compartment Seal Kit</li> <li>For Tier 4 M-Series Loaders (S750H, S770H, S850H, A770H, T750H, T770H, T870H) must also order Forestry Applications Kit, M-Series (p/n 7257723) and Engine Compartment Seal Kit</li> <li>Loader must be equipped with high flow and upgraded cooling system</li> <li>For K-Series Loaders (S300H, S330H, A300H, T250H, T300H, T320H) must also order Forestry Applications Kit, K-Series p/n 7131810</li> </ul> <p>(The following K-Series loader serial numbers must be equipped with the cooling system upgrade kit p/n 7126319 - order from Bobcat Parts: A300 s/n 539911675 &amp; below; T300 s/n 532015066 &amp; below; T250 s/n 531812826 &amp; below; S300 s/n 531115051 &amp; below) (All S330 loaders are equipped with the upgraded cooling system)<br/>                     (For loaders A300 s/n A5GW19999 and below; S300 A5GP19999 and below; S330 A5HA19999 and below; T250 A5GS19999 and below; T300 A5GU19999 and below; and T320 A7MP60000 and below must also order door wiring harness kit, p/n 7155443 from</p> | <b>Forestry Cutter, 50" 2-Speed</b> | \$33,984.02           | \$0.00   |
| (S750H, S770H, S850H) (A770H) (T750H, T770H, T870H)<br>7204127 | <p><b>Forestry Cutter, 60" 2-Speed</b></p> <ul style="list-style-type: none"> <li>For iT4 and Tier 3 M-Series Loaders (S750H, S770H, S850H, A770H, T750H, T770H, T870H) must also order Forestry Applications Kit, M-Series (p/n 7230523)</li> </ul>  | <b>Forestry Cutter, 60" 2-Speed</b> | \$35,849.62           | \$0.00   |

- **and Engine Compartment Seal Kit**
  - **For Tier 4 M-Series Loaders (S750H, S770H, S850H, A770H, T750H, T770H, T870H) must also order Forestry Applications Kit, M-Series (p/n 7257723) and Engine Compartment Seal Kit**
  - **Loader must be equipped with high flow and upgraded cooling system**
  - **For K-Series Loaders (S300H, S330H, A300H, T250H, T300H, T320H) must also order Forestry Applications Kit, K-Series p/n 7131810**
- (The following K-Series loader serial numbers must be equipped with the cooling system upgrade kit p/n 7126319 - order from Bobcat Parts: A300 s/n 539911675 & below; T300 s/n 532015066 & below; T250 s/n 531812826 & below; S300 s/n 531115051 & below) (All S330 loaders are equipped with the upgraded cooling system)  
 (For loaders A300 s/n A5GW19999 and below; S300 A5GP19999 and below; S330 A5HA19999 and below; T250 A5GS19999 and below; T300 A5GU19999 and below; and T320 A7MP60000 and below must also order door wiring harness kit, p/n 7155443 from

(S850H) (T750H, T770H, T870H)  
 7305459

**Forestry Cutter, 70" 2-Speed**

**\$39,605.82 \$0.00**

- **For iT4 and Tier 3 M-Series Loaders (S850H, T750H, T770H, T870H) must also order Forestry Applications Kit, M-Series (p/n 7230523) and Engine Compartment Seal Kit**
- **For Tier 4 M-Series Loaders (S850H, T750H, T770H, T870H) must also order Forestry Applications Kit, M-Series (p/n 7257723) and Engine Compartment Seal Kit**
- **Loader must be equipped with high flow and upgraded cooling system**
- **T750H and T770H: Must be equipped with 400 Pound Counter Weight Kit, Part # 7129252**

| Part Number | Description            | Factory Installed Options | Retail Price in US \$ | Labor    |
|-------------|------------------------|---------------------------|-----------------------|----------|
| 7195450     | (Produces finer mulch) | Front Gate, 50"           | \$2,545.43            | \$202.50 |
| 7195323     | (Produces finer mulch) | Front Gate, 60"           | \$2,686.38            | \$202.50 |

| Part Number | Description | Dealer Installed Accessories - Order From Sales | Retail Price in US \$ | Labor |
|-------------|-------------|---|-----------------------|-------|
|-------------|-------------|---|-----------------------|-------|

|         |  |   |             |          |
|---------|--|---|-------------|----------|
| 7131810 | Kit is required to operate Forestry Cutter and provides operator & machine protection. Not compatible with rear auxiliary hydraulics. Kit includes: Forestry Door (3/4 in. laminated polycarbonate), Front and Rear Light Guards, Hydraulic Quick Coupler Guard, Fire Extinguisher, Level II FOPS, Debris Screen for Radiator, Muffler Guard, Lift Cylinder Debris Shields, Top and Rear Windows (1/4 in. polycarbonate), Cab Bulb Seal and Door Threshold and Seal (Estimated install time 6.5 hours) | <b>Forestry Applications Kit, K-Series</b>                | \$8,011.28  | \$990.00 |
| 7230523 | Kit is required to operate Forestry Cutter and provides operator & machine protection. Must also order Engine Compartment Seal Kit. Not compatible with rear auxiliary hydraulics. Kit includes: Forestry Door (3/4 in. laminated polycarbonate), Front and Rear Light Guards, Hydraulic Quick Coupler Guard, Fire Extinguisher, Level II FOPS, Muffler Guard, Top and Rear Windows, Polycarbonate Side Windows (Estimated install time 6.5 hours)   | <b>Tier 3 and iT4 Forestry Applications Kit, M-Series</b> | \$12,672.14 | \$990.00 |
| 7257723 | Kit is required to operate Forestry Cutter and provides operator & machine protection. Must also order Engine Compartment Seal Kit. Not compatible with rear auxiliary hydraulics. Kit includes: Forestry Door (3/4 in. laminated polycarbonate), Front and Rear Light Guards, Hydraulic Quick Coupler Guard, Fire Extinguisher, Level II FOPS, Top and Rear Windows, Polycarbonate Side Windows (Estimated install time 6.5 hours)  | <b>Tier 4 Forestry Applications Kit, M-Series</b>         | \$12,672.14 | \$990.00 |

| Part Number | Description | Dealer Installed Accessories - Order From Sales | Retail Price in US \$ | Labor |
|-------------|-------------|---|-----------------------|-------|
|-------------|-------------|---|-----------------------|-------|

|         |   |                 |            |          |
|---------|---|-----------------|------------|----------|
| 7195448 | (Produces finer mulch) (Estimated install time 1.5 hours) | Front Gate, 50" | \$2,381.71 | \$202.50 |
| 7195319 | (Produces finer mulch) (Estimated install time 1.5 hours) | Front Gate, 60" | \$2,523.99 | \$202.50 |
| 7310331 | (Produces finer mulch) (Estimated install time 1.5 hours) | Front Gate, 70" | \$2,649.41 | \$202.50 |

**Forks, Utility  
 Bobcat Loader Attachment**



**Quick Specs**

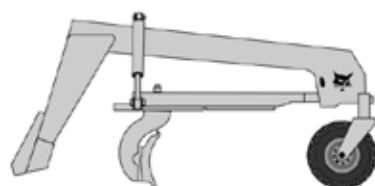
|                        | 36"     | 54"     | 60"     | 66"     | 72"     | 80"     |
|------------------------|---------|---------|---------|---------|---------|---------|
| Operating Weight.....  | 200 lbs | 280 lbs | 304 lbs | 330 lbs | 356 lbs | 388 lbs |
| # of Teeth Shipped.... | 5       | 7       | 8       | 9       | 10      | 11      |
| Max # of Teeth.....    | 9       | 13      | 15      | 17      | 19      | 21      |

| Part Number | Description | Attachment | Retail Price in US \$ | Labor |
|-------------|-------------|------------|-----------------------|-------|
|-------------|-------------|------------|-----------------------|-------|

|         |   |  |            |        |
|---------|---|--|------------|--------|
| 6727904 | (MT50, MT52, MT55, MT85, MT100) (S70) ( L23, L28) | <b>36" Utility fork, with 5 Teeth</b><br>(Use with Farm/Utility grapple P/N 6728117) (Additional Forks (p/n 6717622) may be ordered through Bobcat Parts. Must also order nut (p/n 6717624). | \$1,269.72 | \$0.00 |
|---------|---|--|------------|--------|

|   |   |                   |               |
|---|---|-------------------|---------------|
| <b>(S70, S100, S130) (S450) (T110, T140) (T450) (L23, L28)</b><br><b>6727888</b>  | <b>54" Utility fork, with 7 Teeth</b><br>(Use with Farm/Utility grapple P/N 6728117) (Additional Forks (p/n 6717622) may be ordered through Bobcat Parts. Must also order nut (p/n 6717624).  | <b>\$1,481.10</b> | <b>\$0.00</b> |
| <b>(S130, S150, S160, S175, S185, S205) (S450, S510, S530, S550, S570, S590, S595, S630, S650) (S62) (T140) (T450, T550, T590, T595) (T62)</b><br><b>6725178</b>  | <b>60" Utility fork, with 8 Teeth</b><br>(Use with Farm/Utility grapple P/N 7176977) (Additional Forks (p/n 6717622) may be ordered through Bobcat Parts. Must also order nut (p/n 6717624).  | <b>\$1,646.02</b> | <b>\$0.00</b> |
| <b>(S130, S150, S160, S175, S185, S205) (S450, S510, S530, S550, S570, S590, S595, S630, S650) (S62, S64, S66) (T140, T180, T190) (T450, T550, T590, T595) (T62)</b><br><b>6725179</b>  | <b>66" Utility fork, with 9 Teeth</b><br>(Use with Farm/Utility grapple P/N 7176977) (Additional Forks (p/n 6717622) may be ordered through Bobcat Parts. Must also order nut (p/n 6717624).  | <b>\$1,925.45</b> | <b>\$0.00</b> |
| <b>(S150, S160, S175, S185, S205) (S510, S530, S550, S570, S590, S595, S630, S650, S740, S750, S770) (S62, S64, S66, S76) (A770) (T140, T180, T190) (T450, T550, T590, T595, T630, T650) (T62, T64, T66, T76)</b><br><b>6725180</b> | <b>72" Utility fork, with 10 Teeth</b><br>(Use with Farm/Utility grapple P/N 7176977) (Additional Forks (p/n 6717622) may be ordered through Bobcat Parts. Must also order nut (p/n 6717624). | <b>\$2,027.04</b> | <b>\$0.00</b> |
| <b>(S175, S185, S205) (S530, S550, S570, S590, S595, S630, S650, S740, S750, S770) (S62, S64, S66, S76) (A770) (T180, T190) (T550, T590, T595, T630, T650) (T62, T64, T66, T76)</b><br><b>7107243</b>                               | <b>80" Utility fork, with 11 Teeth</b><br>(Use with Farm/Utility grapple P/N 7176977) (Additional Forks (p/n 6717622) may be ordered through Bobcat Parts. Must also order nut (p/n 6717624). | <b>\$2,362.60</b> | <b>\$0.00</b> |

**Grader  
Bobcat Loader Attachment**



**Quick Specs**

|  | <u>84"</u>    | <u>96"</u>       | <u>108"</u>      |
|--|---------------|------------------|------------------|
| Operating Weight.....                    | 1375 lbs      | 2788 lbs         | 2861 lbs         |
| Width of Moldboard.....                  | 84"           | 96"              | 108"             |
| Width of Moldboard Fully Angled.....     | 76.1"         | 83.3"            | 93.7"            |
| Moldboard Angle (Right or Left).....     | ± 25°         | ± 30°            | ± 30°            |
| Blade Offset (Right or Left).....        | ± 12"(manual) | ± 13"(hydraulic) | ± 13"(hydraulic) |
| Bolster Oscillation.....                 | ± 25°         | ± 12°            | ± 12°            |
| Moldboard Cutting Edge (reversible)..... | ½" x 6"       | 5/8" x 6"        | 5/8" x 6"        |
| Cylinders.....                           | 3             | 5                | 5                |

| Part Number  | Description | Attachment   | Retail Price in US \$ | Labor         |
|--|-------------|--|-----------------------|---------------|
| <b>(S130, S150, S160, S175, S185, S205) (S450, S510, S530, S550, S570, S590, S595, S630, S650, S740, S750, S770) (S62, S64, S66, S76) (A770) (T140, T180, T190) (T450, T550, T590, T595) (T62, T64, T66)</b><br><b>6906480</b> |             | <b>Grader, 84"</b><br>(Loader must be equipped with an Attachment Control Kit – See Page 1 or 2) (When used on loaders equipped with a 14-Pin Attachment Control Kit, a 14-Pin Attachment T-Harness Kit P/N 7164095 is required – See Page 1)  | <b>\$12,228.57</b>    | <b>\$0.00</b> |
| <b>(S740, S750, S770, S850) (A770) (T650, T740, T750, T770, T870) (T76)</b><br><b>7160005</b>  |             | <b>Grader, 96"</b><br>(Loader must be equipped with an Attachment Control Kit – See Page 1 or 2) (When used on loaders equipped with a 14-Pin Attachment Control Kit, a 14-Pin Attachment T-Harness Kit P/N 7164095 is required – See Page 1)  | <b>\$19,918.19</b>    | <b>\$0.00</b> |
| <b>(S740, S750, S770, S850) (A770) (T740, T750, T770, T870)</b><br><b>7182060</b>  |             | <b>Grader, 108"</b><br>(Loader must be equipped with an Attachment Control Kit – See Page 1 or 2) (When used on loaders equipped with a 14-Pin Attachment Control Kit, a 14-Pin Attachment T-Harness Kit P/N 7164095 is required – See Page 1) | <b>\$21,498.94</b>    | <b>\$0.00</b> |
| <b>7177684</b>   |             | <b>End-Wing Kit</b><br>(Converts graders 96" and 108" into box blade for finish grading only) (Not compatible with the Sonic Tracer)   | <b>\$693.98</b>       | <b>\$0.00</b> |

| Part Number    | Description | Attachment   | Retail Price in US \$ | Labor           |
|----------------|-------------|--|-----------------------|-----------------|
| <b>7164094</b> |             | <b>Laser Mounting Kit, BLR2 (must also order 2 receivers)</b><br>(For 84" Grader) (Must also order two laser receivers, p/n 7160486) (Approved for use on Graders S/N 648001631 & above, started production April 2009) (Includes two receiver poles and wiring harnesses) | <b>\$1,426.20</b>     | <b>\$225.00</b> |
| <b>7177685</b> |             | <b>Laser Mounting Kit</b><br>(For 96" and 108" Grader) (Must also order two laser receivers, p/n 7160486) (Includes two receiver poles and wiring harnesses)   | <b>\$1,524.07</b>     | <b>\$225.00</b> |

| Part Number    | Description | Attachment                  | Retail Price in US \$ | Labor         |
|----------------|-------------|-----------------------------|-----------------------|---------------|
| <b>7160486</b> |             | <b>Laser Receiver, BLR2</b> | <b>\$2,682.06</b>     | <b>\$0.00</b> |

Loader Attachments

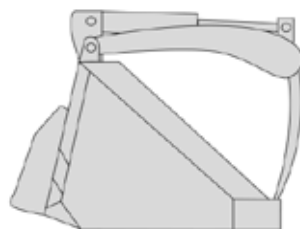
(Must order 2 for use with laser kit) (May also need a laser transmitter and tripod—unless customer has this equipment.) (The laser receivers will work with most rotating laser transmitters, for full functionality a dual slope-rotating transmitter is recommended.) (Approved for use on Graders S/N 648001631 & above, started production April 2009, and 96" and 108" Graders)

|         |  |             |          |
|---------|--|-------------|----------|
| 7275232 | <b>Laser Transmitter, Dual Slope</b><br>(Trimble GL422N; includes CR700 receiver)  | \$4,034.94  | \$0.00   |
| 6688806 | <b>Tripod</b>  | \$402.62    | \$0.00   |
| 7211624 | <b>Sonic Tracer and Slope Sensor Mounting Kit</b><br>(For 96" and 108" Grader) (Must also order Sonic Tracer and Slope Sensor Package, p/n 7023454) (Includes mounting brackets, hardware and wiring harnesses for sonic tracer and slope sensors) (Not compatible with the end-wing kit)  | \$2,762.74  | \$0.00   |
| 7023454 | <b>Sonic Tracer &amp; Slope Sensor Package</b><br>(Approved for 96" and 108" Grader) (Must also order Sonic Tracer and Slope Mounting Kit, p/n 7211624) (Includes ST400 Sonic Tracer, AS400 Slope Sensor (qty 2) and RS400 Rotation Sensor) (Use where laser transmitters won't work because of obstructions or where grader must follow predetermined slopes and land contours) | \$14,736.19 | \$337.50 |
| 7306968 | <b>3D Mounting Kit</b><br>(Required for 3D sensor Kit 7276540 for use with 3D Ready System)  | \$1,590.00  | \$0.00   |
| 7276541 | <b>3D Harness Kit</b><br>(Approved for 96" and 108" Grader) (Includes: Machine wiring harness, Attachment wiring Harness, Radio Bracket & Mast Mounts)   | \$6,131.00  | \$0.00   |
| 7276540 | <b>3D Sensor Kit</b><br>(Approved for 96" and 108" Grader) (Must also order 3D Mounting Kit PN 7306968) (3D Sensor Kit is required when using Single GPS or UTS, the 3D Sensor Kit is not required for dual GPS.) (Includes: AS400 Slope Sensors (qty 2) and RS400 Rotation Sensor)  | \$7,006.00  | \$0.00   |

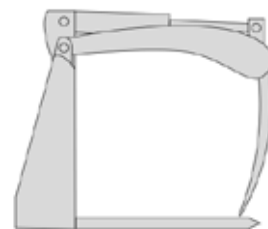
**Grader  
Bobcat Loader Attachment**

| Parts Needed to Equip Bobcat Graders and Boxblades with Guidance Systems |   |                          |  |  |   |  |
|--|---|--------------------------|--|--|---|--|
|  | 2D Laser Guiding  | 3D Dual GPS              | 3D Single GPS  | 3D UTS   | Sonic & Slope   | STTECH dealer needed for setup   |
| <b>Box Blade</b>   | Not Compatible  | Not Compatible           | Not Compatible   | Not Compatible   | Not Compatible  | Not Compatible   |
| <b>Box Blade w/Laser</b>   | Quantity: 1 BLR2 Laser Receiver - 7160486                             | Not Compatible           | Not Compatible   | Not Compatible   | Not Compatible  | Not Compatible   |
| <b>84" Grader</b>  | Laser Mounting Kit - 7164094 Quantity: 2 BLR2 Laser Receivers-7160486 | Not Compatible           | Not Compatible   | Not Compatible   | Not Compatible  | Not Compatible   |
| <b>96" &amp; 108" HD Grader</b>  | Laser Mounting Kit - 7177685 Quantity: 2 BLR2 Laser Receivers-7160487 | 3D Harness Kit - 7276541 | 3D Sensor Kit - 7276540 3D Mounting Kit - 7306968 3D Harness Kit - 7276541 | 3D Sensor Kit - 7276540 3D Mounting Kit - 7306968 3D Harness Kit - 7276541 | Sonic Tracer & Slope Sensor Package - 7023454 Sonic Tracer & Slope Mounting Kit - 7211624 | Yes for 3D Grading system System's (3D Single GPS, 3D Dual GPS and 3D UTS) |
| <b>HD Box Blade</b>  | Laser Mounting Kit - 7370490 Quantity: 2 BLR2 Laser Receivers-7160488 | 3D Harness Kit - 7276541 | 3D Sensor Kit - 7370491 3D Mounting Kit - 7370492                          | 3D Sensor Kit - 7370491 3D Mounting Kit - 7370492                          | Not Compatible  | Yes for 3D Grading system System's (3D Single GPS, 3D Dual GPS and 3D UTS) |
| <b>Tripod - 6688806</b>  | Needed for all Laser  |                          |  |  |   |  |
| <b>Laser Transmitter Dual Slope - 7275232</b>                            | guidance systems if customer does not have these items                |                          |  |  |   |  |

**Grapple, Farm/Utility  
Bobcat Loader Attachment**



Grapple with Bucket



Grapple with Forks

**Quick Specs**

|                         | <u>32" Utility</u> | <u>32"</u> | <u>55" Util C/I</u> | <u>55" Util GP</u> |
|-------------------------|--------------------|------------|---------------------|--------------------|
| Operating Weight.....   | 157 lbs            | 157 lbs    | 243 lbs             | 180 lbs            |
| Grapple Width.....      | 32"                | 32"        | 55"                 | 55"                |
| # of Grapple Tines..... | 3                  | 3          | 4                   | 4                  |

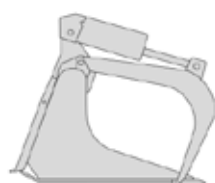
| Part Number  | Description | Attachment  | Retail Price in US \$ | Labor    |
|--|-------------|---|-----------------------|----------|
| (MT50, MT52, MT55, MT85, MT100) (S70) (L23, L28)<br>6728117  |             | <b>Grapple, 32" Utility</b><br>(Fits Current 36", 48" & 54" Utility Forks and 36" & 44" Utility Buckets)  | \$1,430.00            | \$270.00 |
| 7125370  |             | <b>Grapple, 32"</b><br>(Fits Current 36" – 50" General Purpose buckets) (If bucket is equipped with a 6 hole step, must order a replacement 4 hole step, P/N 7103163) | \$1,519.00            | \$270.00 |
| (S130, S150, S160, S175, S185, S205) (S450, S510, S530, S550, S570, S590, S595, S630, S650, S740, S750, S770) (S62, S64, S66, S76) (A770) (T140, T180, T190) (T450, T550, T590, T595, T630, T650) (T62, T64, T66, T76) |             |   |                       |          |

|   |  |                   |                 |
|---|--|-------------------|-----------------|
| <b>7176977</b>  | <b>Grapple, 55" Utility – C/I</b><br>(Fits 62", 68", 74" and 80" Roundback Low Profile and Construction/Industrial Buckets and 60", 66", 72", and 80" Utility Forks) (Will not fit Heavy Duty Construction/Industrial Buckets) | <b>\$2,048.23</b> | <b>\$270.00</b> |
| <b>(S130, S150, S160, S175, S185) (S510, S530, S550, S570) (S62, S64) 7176783</b> | <b>Grapple, 55" Utility - GP</b><br>(Fits 62", 68" and 74" General Purpose buckets)  | <b>\$2,022.13</b> | <b>\$270.00</b> |

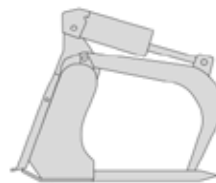
**Note: It is recommended that a port relief is installed for use with the Farm & Utility Grapples except when used on a 463, S70, S100, T110 or MT. Installation instructions are included in the Operation Manual. Order the following from Bobcat Parts.**

- 6684646 - Port relief (4000 psi) – for M-Series loaders, S450/T450 and larger
- 6684645 - Port relief (3500 psi) – for G-Series through K-Series loaders with one-piece control valves (started April 2004)
- 6678574 - Port relief (3500 psi) – for F-Series & G-Series loaders until April 2004

**Grapple, Farm/Utility  
Bobcat Loader Attachment**



***Industrial Bucket Grapple***



***Industrial Fork Grapple***

**Quick Specs**

|                            |                        |                        |                        |                        |
|----------------------------|------------------------|------------------------|------------------------|------------------------|
|                            | <u><b>36" Bkt.</b></u> | <u><b>48" Bkt.</b></u> | <u><b>62" Bkt.</b></u> | <u><b>68" Bkt.</b></u> |
| Operating Weight.....      | 365 lbs                | 448 lbs                | 884 lbs                | 922 lbs                |
| Overall Grapple Width..... | 36.0"                  | 48.0"                  | 62"                    | 68"                    |
| # of Teeth - Factory.....  | N/A                    | N/A                    | N/A                    | N/A                    |
| # of Teeth - Possible..... | N/A                    | N/A                    | N/A                    | N/A                    |
|                            | <u><b>66" Fork</b></u> | <u><b>74" Bkt.</b></u> | <u><b>78" Fork</b></u> | <u><b>80" Bkt.</b></u> |
| Operating Weight.....      | 937 lbs                | 960 lbs                | 1218 lbs               | 1101 lbs               |
| Overall Grapple Width..... | 66.9"                  | 74"                    | 78.8"                  | 80"                    |
| # of Teeth - Factory.....  | 7                      | N/A                    | 8                      | N/A                    |
| # of Teeth - Possible..... | 13                     | N/A                    | 15                     | N/A                    |

| Part Number   | Description  | Attachment | Retail Price in US \$ | Labor  |
|---|--|------------|-----------------------|--------|
| (MT52, MT55, MT85, MT100) (S70) (L23, L28)<br>7135737   | 36" Industrial Bucket Grapple<br>(Bolt-On Cutting Edge included)             |            | \$2,427.67            | \$0.00 |
| (S100) (T110)<br>7140888  | 48" Industrial Bucket Grapple<br>(Bolt-On Cutting Edge included)             |            | \$2,665.76            | \$0.00 |
| (S130, S150, S160, S175, S185, S205) (S450, S510, S530, S550, S570, S590, S595) (S62, S64) (T140, T180, T190)<br>(T450, T550, T590, T595) (T62, T64)<br>7168342   | 62" Industrial Bucket Grapple<br>(Bolt-On Cutting Edge included)             |            | \$4,338.96            | \$0.00 |
| (S130, S150, S160, S175, S185, S205) (S450, S510, S530, S550, S570, S590, S595, S630, S650, S740, S750, S770)<br>(S62, S64, S66, S76) (T140, T180, T190) (T450, T550, T590, T595, T630, T650) (T62, T64, T66, T76)<br>7168340 | 68" Industrial Bucket Grapple<br>(Bolt-On Cutting Edge included)             |            | \$4,511.82            | \$0.00 |
| (S130, S150, S160, S175, S185, S205) (S450, S510, S530, S550, S570, S590, S595, S630, S650, S740, S750, S770)<br>(S62, S64, S66, S76) (T140, T180, T190) (T450, T550, T590, T595, T630, T650) (T62, T64, T66, T76)<br>7168344 | 66" Industrial Fork Grapple, with 7 teeth<br>(Bolt-On Cutting Edge included) |            | \$5,212.97            | \$0.00 |
| (S630, S650, S740, S750, S770) (S76) (A770) (T180, T190) (T550, T590, T595, T630, T650) (T62, T64, T66, T76)<br>7168290   | 74" Industrial Bucket Grapple<br>(Bolt-On Cutting Edge included)             |            | \$4,861.84            | \$0.00 |
| (S630, S650, S740, S750, S770, S850) (S76) (A770) (T630, T650, T740, T750, T770, T870) (T76)<br>7166624   | 78" Industrial Fork Grapple, with 8 teeth                                    |            | \$6,258.84            | \$0.00 |
| (S630, S650, S740, S750, S770, S850) (S76) (A770) (T630, T650, T740, T750, T770, T870) (T76)<br>7168339   | 80" Industrial Bucket Grapple<br>(Bolt-On Cutting Edge included)             |            | \$5,383.73            | \$0.00 |

**Note: It is recommended that a port relief be installed for use with the Industrial Grapples except when used on a 463, S70, S100, T110 or MT. Installation instructions are included in the Operation Manual. Order the following from Bobcat Parts.**

- 6684646 - Port relief (4000 psi) – for M-Series loaders, S450/T450 and larger
- 6684645 - Port relief (3500 psi) – for G-Series through K-Series loaders with one-piece control valves (started April 2004)
- 6678574 - Port relief (3500 psi) – for F-Series & G-Series loaders until April 2004

**Grapple, Root  
Bobcat Loader Attachment**







**Quick Specs**

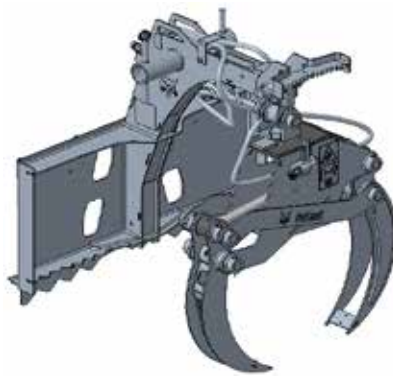
|                            | <u>36"</u> | <u>48"</u> | <u>66"</u> | <u>72"</u> | <u>82"</u> |
|----------------------------|------------|------------|------------|------------|------------|
| Operating Weight.....      | 297 lbs    | 371 lbs    | 961 lbs    | 1025 lbs   | 1130 lbs   |
| Height (closed).....       | 29.8"      | 29.8"      | 34.2"      | 34.2"      | 34.2"      |
| Height (open).....         | 41.7"      | 41.7"      | 51.8"      | 51.8"      | 51.8"      |
| Length.....                | 30.7"      | 30.7"      | 42.8"      | 42.8"      | 42.8"      |
| Width.....                 | 36"        | 48"        | 66"        | 72.5"      | 82.5"      |
| Teeth.....                 | 5          | 7          | 8          | 9          | 11         |
| Maximum Tooth Opening..... | 28.3"      | 28.3"      | 36.8"      | 36.8"      | 36.8"      |

| Part Number   | Description | Attachment       | Retail Price in US \$ | Labor  |
|---|-------------|------------------|-----------------------|--------|
| (MT52, MT55, MT85, MT100) (S70) (L23, L28)<br>7134179   |             | 36" Root Grapple | \$2,498.29            | \$0.00 |
| (S100) (T110)<br>7140902  |             | 48" Root Grapple | \$3,086.51            | \$0.00 |
| (S150, S160, S175, S185, S205) (S510, S530, S550, S570, S590, S595) (S62, S64, S66) (T140, T180, T190) (T450, T550, T590, T595) (T62, T64, T66)<br>7168343  |             | 66" Root Grapple | \$4,306.34            | \$0.00 |
| (S175, S185, S205) (S530, S550, S570, S590, S595, S630, S650, S740, S750, S770) (S62, S64, S66, S76) (A770) (T180, T190) (T550, T590, T595, T630, T650, T740, T750, T770) (T62, T64, T66, T76)<br>7165486 |             | 72" Root Grapple | \$4,625.96            | \$0.00 |
| (S175, S185, S205) (S630, S650, S740, S750, S770, S850) (S76) (A770) (T180, T190) (T630, T650, T740, T750, T770, T870) (T76)<br>7168338   |             | 82" Root Grapple | \$5,122.74            | \$0.00 |

**Note:** It is recommended that a port relief be installed for use with the Root Grapples except when used on a 463, S70, S100, T110 or MT. Installation instructions are included in the Operation Manual.  
 Order the following from Bobcat Parts.

- 6684646 - Port relief (4000 psi) – for M-Series loaders, S450/T450 and larger
- 6684645 - Port relief (3500 psi) – for G-Series through K-Series loaders with one-piece control valves (started April 2004)
- 6678574 - Port relief (3500 psi) – for F-Series & G-Series loaders until April 2004

**Log Grapple  
 Bobcat Loader Attachment**

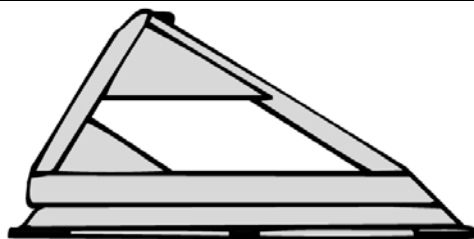


**Quick Specs**

|                      |          |
|----------------------|----------|
| Weight.....          | 335 lbs. |
| Grapple opening..... | 56"      |
| Tree pusher.....     | 11"      |
| Rope bollard.....    | 2.85"    |
| Rotation.....        | Manual   |

| Part Number                         | Description | Attachment  | Retail Price in US \$ | Labor  |
|-------------------------------------|-------------|---|-----------------------|--------|
| (MT85, MT100) (L23, L28)<br>7401254 |             | Log Grapple<br>(Must order SAL hose extension for use on L23 and L28) | \$3,633.30            | \$0.00 |

**Landplane  
 Bobcat Loader Attachment**

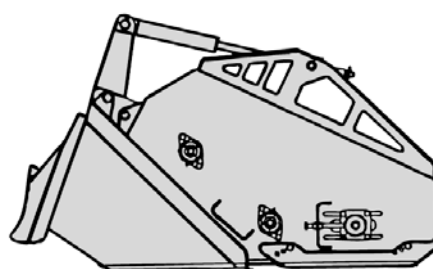


**Quick Specs**

|                              | <u>48" Deluxe</u> | <u>72" Deluxe</u> | <u>78" Deluxe</u> |
|------------------------------|-------------------|-------------------|-------------------|
| Operating Weight.....        | 390 lbs           | 680 lbs           | 700 lbs.          |
| Length.....                  | 46.6"             | 51.5"             | 51.5"             |
| Width.....                   | 48"               | 73"               | 79"               |
| Height.....                  | 20.6"             | 20.9"             | 20.9"             |
| Working Depth-Scarifier..... | 3"                | 3.5"              | 3.5"              |
| Cutting Edge.....            | 0.5" x 4"         | 0.5" x 6"         | 0.5" x 6"         |

| Part Number   | Description  | Attachment                  | Retail Price in US \$ | Labor         |
|---|--|-----------------------------|-----------------------|---------------|
| (MT50, MT52, MT55, MT85, MT100) (S70, S100) (T110) (L23, L28)<br>6907173  |  | <b>48" Deluxe Landplane</b> | <b>\$1,544.89</b>     | <b>\$0.00</b> |
|   | (Includes expanded metal grate, scarifier assembly, teeth and respective hardware) |                             |                       |               |
| (S100, S130, S150, S160, S175, S185, S205) (S450, S510, S530, S550, S570, S590, S595, S630, S650, S740, S750, S770) (S62, S64, S66, S76) (A770) (T110, T140, T180, T190) (T450, T550, T590, T595, T630, T650) (T62, T64, T66, T76)<br>6906150       |  | <b>72" Deluxe Landplane</b> | <b>\$2,711.39</b>     | <b>\$0.00</b> |
|   | (Includes expanded metal grate, scarifier assembly, teeth and respective hardware) |                             |                       |               |
| (S130, S150, S160, S175, S185, S205) (S450, S510, S530, S550, S570, S590, S595, S630, S650, S740, S750, S770) (S62, S64, S66, S76) (A770) (T140, T180, T190) (T450, T550, T590, T595, T630, T650, T740, T750, T770) (T62, T64, T66, T76)<br>6906115 |  | <b>78" Deluxe Landplane</b> | <b>\$2,969.11</b>     | <b>\$0.00</b> |
|   | (Includes expanded metal grate, scarifier assembly, teeth and respective hardware) |                             |                       |               |

**Landscape Rake  
Bobcat Loader Attachment**



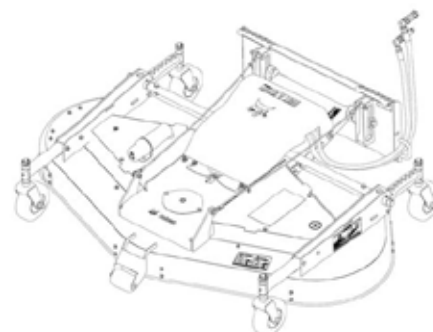
**Quick Specs**

|                         | <u>5B</u>    | <u>6B</u>    |
|-------------------------|--------------|--------------|
| Operating Weight.....   | 1109 lbs     | 1237 lbs     |
| Working Width.....      | 60"          | 72"          |
| Overall Width.....      | 66.6"        | 78.6"        |
| # of Tooth Bars.....    | 12           | 12           |
| # of Teeth (total)..... | 384          | 456          |
| Bucket Capacity.....    | 12.1 cu. ft. | 14.3 cu. ft. |

| Part Number   | Description | Attachment               | Retail Price in US \$ | Labor           |
|---|-------------|--------------------------|-----------------------|-----------------|
| (S130, S150, S160, S175, S185, S205) (S450, S510, S530, S550, S570, S590, S595, S630, S650) (S62, S64, S66, S76) (T140, T180, T190) (T450, T550, T590, T595, T630, T650) (T62, T64, T66, T76)<br>6709107                    |             | <b>5B Landscape Rake</b> | <b>\$9,911.75</b>     | <b>\$270.00</b> |
| (S150, S160, S175, S185, S205) (S510, S530, S550, S570, S590, S595, S630, S650, S740, S750, S770) (S62, S64, S66, S76) (A770) (T180, T190) (T550, T590, T595, T630, T650, T740, T750, T770) (T62, T64, T66, T76)<br>6710630 |             | <b>6B Landscape Rake</b> | <b>\$10,391.23</b>    | <b>\$270.00</b> |

**Note:** Also order Inline Restrictor P/N 6631698 and Adapter P/N 1312113 from Bobcat Parts when installing a Landscape Rake on a 40 series loader.

**Mower  
Bobcat Loader Attachment**



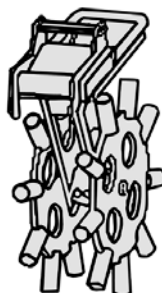
**Quick Specs**

|                                   | <u>72" Mower</u>                                 | <u>90" Mower</u>                                 |
|-----------------------------------|--|--|
| Operating Weight.....             | 880 lbs  | 990 lbs  |
| Cutting Width.....                | 71.5"  | 89.5"  |
| Overall Width.....                | 76"  | 94"  |
| Overall Length.....               | 68"  | 75"  |
| Cutting Height Range.....         | 2"—5.5"  | 2"—5.5"  |
| adjustable in 1/2 inch increments |  |  |
| Flow Range.....                   | 15—22 gpm  | 15—22 gpm  |
| Number of Blades.....             | 3  | 3  |
| Shut-off Travel.....              | 8.5"   | 8.5"   |
| Blade Tip Speeds.....             | 11,251 ft/min @ 15 GPM<br>15,002 ft/min @ 20 GPM | 11,026 ft/min @ 15 GPM<br>14,702 ft/min @ 20 GPM |

16,502 ft/min @ 22 GPM      16,172 ft/min @ 22 GPM  
 Rear Discharge                  Rear Discharge

| Part Number  | Description | Attachment | Retail Price in US \$ | Labor  |
|--|-------------|------------|-----------------------|--------|
| (S100, S130, S150, S160, S175, S185, S205) (S450, S510, S530, S550, S570, S590, S595, S630, S650, S740, S750, S770) (S62, S64, S66, S76) (A770) (T110, T140, T180, T190) (T450, T550, T590, T595, T630, T650, T750, T770) (T62, T64, T66, T76) 7144850 |             | 72" Mower  | \$7,258.00            | \$0.00 |
| (S150, S160, S175, S185, S205) (S510, S530, S550, S570, S590, S595, S630, S650, S740, S750, S770, S850) (S62, S64, S66, S76) (A770) (T180, T190) (T550, T590, T595, T630, T650, T740, T750, T770, T870) (T62, T64, T66, T76) 7143993                   |             | 90" Mower  | \$7,940.75            | \$0.00 |

**Packer Wheel  
Bobcat Loader Attachment**



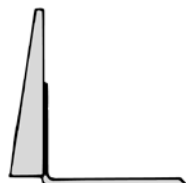
**Quick Specs**

Operating Weight..... 386 lbs  
 Width..... 11"  
 Length..... 40.5"  
 Wheel Assembly..... 2  
 Wheel Diameter..... 30"  
 Compaction Depth..... 36.7"  
 Sheepfoot (hollow tube)..... 18 (9 per wheel)

| Part Number  | Description | Attachment   | Retail Price in US \$ | Labor  |
|--|-------------|--|-----------------------|--------|
| (S130, S150, S160, S175, S185, S205) (S450, S510, S530, S550, S570, S590, S595, S630, S650, S740, S750, S770, S850) (S62, S64, S66, S76) (A770) (T140, T180, T190) (T450, T550, T590, T595, T630, T650, T740, T750, T770, T870) (T62, T64, T66, T76) 6806644 |             | Packer Wheel<br>(Must also order loader x-change mounting frame p/n 7141800) | \$2,821.21            | \$0.00 |

| Part Number | Description | Dealer Installed Accessories - Order From Sales | Retail Price in US \$ | Labor  |
|-------------|-------------|---|-----------------------|--------|
| 7141800     |             | Loader X-Change Mounting Frame                  | \$1,382.96            | \$0.00 |

**Pallet Forks, Standard  
Bobcat Loader Attachment**



Standard Pallet Fork Teeth and Frame



Bale Forks and Frame

**Quick Specs**

| Frames.....        | Frame Weight | Capacity  | Width | Height      |
|--------------------|--------------|-----------|-------|-------------|
| MT/S70.....        | 105 lbs      | 1,350 lbs | 36.8" | 32"         |
| Standard Duty..... | 122 lbs      | 2,500 lbs | 45.1" | 34.3"       |
| Heavy Duty .....   | 153lbs       | 4,000 lbs | 45.1" | 34.3"       |
| Severe Duty.....   | 229 lbs      | 5,500 lbs | 51.5" | 34.3"/43.2" |
| Teeth.....         | Weight Set 2 | Length    | Width | Height      |
| MT/S70.....        | 147 lbs      | 36"       | 4"    | 21"         |
| Standard Duty..... | 150 lbs      | 42"       | 4"    | 21"         |
| Heavys Duty .....  | 164-184 lbs  | 42"/48"   | 4"    | 21"         |
| Severe Duty.....   | 215-238 lbs  | 42"/48"   | 4"    | 21"         |
| Bale Fork.....     | 119 lbs      | 43.8"     | 1.4"  | 21"         |

| Part Number  | Description | Attachment                             | Retail Price in US \$ | Labor  |
|--|-------------|--|-----------------------|--------|
| (MT50, MT52, MT55, MT85, MT100) (S70) (L23, L28) 6809716 |             | Bob-tach Pallet Fork Frame, less teeth | \$605.55              | \$0.00 |
| 7276448  |             | Pallet Fork Frame CII, MT85, MT100     | \$578.09              | \$0.00 |
| 6540184  |             | 36" Pallet Fork Teeth, Set of 2        | \$425.24              | \$0.00 |

Pallet Frames

|  |  |   |          |        |
|--|--|---|----------|--------|
| (S100, S130, S150, S160, S175, S185, S205) (S450, S510, S530, S550, S570, S590, S595, S630, S650, S740, S750, S770, S850) (S62, S64, S66, S76) (A770) (T450, T550, T590, T595, T630, T650, T740, T750, T770, T870) (T62, T64, T66, T76) (L23, L28) 7297499 |  | 2.5K Standard Duty Pallet Fork Frame, Less Teeth<br>(Quantity discounts will be given on invoice to PN 7297499 when ordered in multiples of 10) | \$471.87 | \$0.00 |
|--|--|---|----------|--------|

Loader Attachments

|                            |   |          |        |
|----------------------------|---|----------|--------|
| 7294305                    | <b>4K HEavy Duty Pallet Fork Frame, Less Teeth</b><br>(Quantity discounts will be given on invoice to PN 7294305 when ordered in multiples of 10)               | \$573.40 | \$0.00 |
| 7294332                    | <b>5.5K Severe Duty Pallet Fork Frame, Less Teeth</b><br>(Quantity discounts will be given on invoice to PN 7294332 when ordered in multiples of 10)            | \$914.93 | \$0.00 |
| <b><i>Pallet Teeth</i></b> |   |          |        |
| 7308798                    | <b>42", 2.5K Standard Duty Pallet Fork Teeth, Set of 2</b><br>(Quantity discounts will be given on invoice to PN 7308798 when ordered in multiples of 10 pairs) | \$394.12 | \$0.00 |
| 6540183                    | <b>42", 4K Heavy Duty Pallet Fork Teeth, Set of 2</b><br>(Quantity discounts will be given on invoice to PN 6540183 when ordered in multiples of 10 pairs)      | \$444.41 | \$0.00 |
| 6540182                    | <b>48", 4K Heavy Duty Pallet Fork Teeth, Set of 2</b><br>(Quantity discounts will be given on invoice to PN 6540182 when ordered in multiples of 10 pairs)      | \$455.12 | \$0.00 |
| 6541521                    | <b>42", 5.5K Severe Duty Pallet Fork Teeth, Set of 2</b><br>(Quantity discounts will be given on invoice to PN 6541521 when ordered in multiples of 10 pairs)   | \$602.02 | \$0.00 |
| 6541518                    | <b>48", 5.5K Severe Duty Pallet Fork Teeth, Set of 2</b><br>(Quantity discounts will be given on invoice to PN 6541518 when ordered in multiples of 10 pairs)   | \$678.45 | \$0.00 |

***Bale Forks***

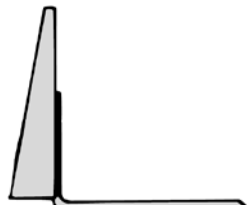
|   |                             |            |        |
|---|-----------------------------|------------|--------|
| (Standard Duty, Heavy Duty, Severe Duty)<br>6815781 | <b>Bale Forks, Set of 2</b> | \$1,006.94 | \$0.00 |
|---|-----------------------------|------------|--------|

| Part Number | Description | Attachment Accessories | Retail Price in US \$ | Labor |
|-------------|-------------|------------------------|-----------------------|-------|
|-------------|-------------|------------------------|-----------------------|-------|

|   |   |  |          |        |
|---|---|--|----------|--------|
| (Standard Duty, Heavy Duty, Severe Duty)<br>7306978 | <b>Brick-Guard Center</b><br>(Quantity orders only on PN 7306978 in multiples of 5 only) (Compatible with Standard, Heavy and Severe Duty Frames) |  | \$151.76 | \$0.00 |
|---|---|--|----------|--------|

|                          |   |  |          |        |
|--------------------------|---|--|----------|--------|
| (Severe Duty)<br>7306981 | <b>Brick-Guard Extension</b><br>(Quantity orders only on PN 7306978 in multiples of 5 only) (Compatible with Severe Duty Frames Only) |  | \$304.52 | \$0.00 |
|--------------------------|---|--|----------|--------|

**Pallet Forks, Hydraulic  
Bobcat Loader Attachment**



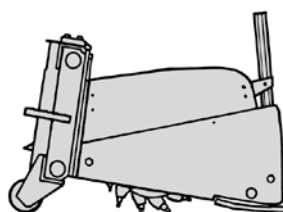
**Quick Specs**

|                                  |         |
|----------------------------------|---------|
| Ship Weight (Frame & Forks)..... | 565 lbs |
| Fork Width.....                  | 4"      |

| Part Number | Description | Attachment | Retail Price in US \$ | Labor |
|-------------|-------------|------------|-----------------------|-------|
|-------------|-------------|------------|-----------------------|-------|

|   |  |  |            |        |
|---|--|--|------------|--------|
| (S130, S150, S160, S175, S185, S205) (S450, S510, S530, S550, S570, S590, S595, S630, S650, S740, S750, S770, S850)<br>(S62, S64, S66, S76) (A770) (T140, T180, T190) (T450, T550, T590, T595, T630, T650, T740, T750, T770, T870)<br>(T62, T64, T66, T76)<br>6905425 | <b>48" Hydraulic Pallet Fork</b><br>(Includes back frame and 2 hydraulically adjustable 48" teeth) |  | \$3,774.65 | \$0.00 |
|---|--|--|------------|--------|

**Planer  
Bobcat Loader Attachment**



**Quick Specs**

|                                 | 14"        | 18"        | 24"        | 40"       |
|---------------------------------|------------|------------|------------|-----------|
| Operating Weight.....           | 1107 lbs.* | 1191 lbs.* | 1254 lbs.* | 2300 lbs. |
| Drum Width.....                 | 14"        | 18"        | 24"        | 40"       |
| Cutting Depth-Flat Planing..... | 0 - 6"     | 0 - 6"     | 0 - 6"     | 0 - 5"    |
| Sideshift.....                  | 29.8"      | 29.8"      | 29.8"      | 25.6"     |
| # of Bits.....                  | *          | *          | *          | 78        |
| Hydraulic Oscillation.....      | N/A        | N/A        | N/A        | ± 8°      |
| Maximum Cutting Angle.....      | ± 15°      | ± 15°      | ± 15°      | ± 8°      |

\* Does not include drum, dependent upon which drum is installed.

| Part Number | Description | Attachment | Retail Price in US \$ | Labor |
|-------------|-------------|------------|-----------------------|-------|
|-------------|-------------|------------|-----------------------|-------|

|  |   |  |             |        |
|--|---|--|-------------|--------|
| (S130, S150, S160, S175, S185, S205) (S450, S510, S530, S550, S570, S590, S595, S630, S650, S740, S750, S770)<br>(S62, S64, S66, S76) (A770) (T140, T180, T190) (T450, T550, T590, T595, T630, T650, T740H, T750, T770)<br>(T62, T64, T66, T76)<br>M7019 | <b>14" Planer, Standard Flow</b><br>(Includes manual depth adjust, hydraulic sideshift and hoses) (Must also order drum option)<br>(Attachment Control Kit is not required) |  | \$11,427.34 | \$0.00 |
|--|---|--|-------------|--------|

|               |  |  |            |        |
|---------------|--|--|------------|--------|
| M7019-R01-C03 | <b>14" All Purpose Drum</b><br>(With 46 bits) (Ship Weight 277 lbs.) |  | \$3,201.73 | \$0.00 |
|---------------|--|--|------------|--------|

***MUST order one of the following drum options with the 14" Planer, Standard Flow***

|  |   |             |        |
|--|---|-------------|--------|
| M7019-R01-C07  | No Drum Factory Installed   | \$0.00      | \$0.00 |
| (S160H, S185H, S205H) (S550H, S570H, S590H, S595H, S630H, S650H, S740 H, S750H, S770H, S850H) (S62H, S64H, S66H, S76H) (A770H) (T180H, T190H) (T550H, T590H, T595H, T630H, T650H, T740H, T750H, T770H, T870H) (T62H, T64H, T66H, T76H) |   |             |        |
| M7018  | <b>18" Planer, High Flow</b><br>(Includes hydraulic depth adjust, hydraulic sideshift, and hoses) (Must also order drum option)<br>(Loader must be equipped with an Attachment Control Kit) (When used on loaders equipped with a 14-Pin Attachment Control Kit , a 14-Pin Attachment T-Harness Kit P/N 7164095 is required – See Page 1) | \$17,152.36 | \$0.00 |
| <b><u>MUST order one of the following drum options with the 18" Planer, High Flow</u></b>  |   |             |        |
| M7018-R01-C10  | <b>18" Fast Cut All Purpose Drum</b><br>(With 47 bits) (Ship Weight 288 lbs.)   | \$4,068.24  | \$0.00 |
| M7018-R01-C11  | <b>18" Smooth Cut All Purpose Drum</b><br>(With 84 bits) (Ship Weight 340 lbs.)   | \$5,195.64  | \$0.00 |
| M7018-R01-C12  | No Drum Factory Installed   | \$0.00      | \$0.00 |

|  |   |             |        |
|--|---|-------------|--------|
| (S185H, S205H) (S550H, S570H, S590H, S595H, S630H, S650H, S740H, S750H, S770H, S850H) (S62H, S64H, S66H, S76H) (A770H) (T180H, T190H) (T550H, T590H, T595H, T630H, T650H, T740H, T750H, T770H, T870H) (T62H, T64H, T66H, T76H) |   |             |        |
| M7017  | <b>24" Planer, High Flow</b><br>(Includes hydraulic depth adjust, hydraulic sideshift, and hoses) (Must also order drum option)<br>(Loader must be equipped with an Attachment Control Kit) (When used on loaders equipped with a 14-Pin Attachment Control Kit , a 14-Pin Attachment T-Harness Kit P/N 7164095 is required – See Page 1) | \$20,772.66 | \$0.00 |
| <b><u>MUST order one of the following drum options with the 24" Planer, High Flow</u></b>  |   |             |        |
| M7017-R01-C04  | <b>24" Fast Cut All Purpose Drum</b><br>(With 57 bits) (Ship Weight 359 lbs.)   | \$5,515.28  | \$0.00 |
| M7017-R01-C12  | <b>24" Smooth Cut All Purpose Drum</b><br>(With 124 bits) (Ship Weight 453 lbs.)  | \$6,924.25  | \$0.00 |
| M7017-R01-C13  | No Drum Factory Installed   | \$0.00      | \$0.00 |

|   |  |             |        |
|---|--|-------------|--------|
| (S750H, S770H, S850H) (A770H) (T750H, T770H, T870H) |  |             |        |
| 6726632   | <b>40" Planer, High Flow</b><br>(Includes hydraulic depth adjust, 40" drum, hydraulic sideshift, hydraulic oscillation & hoses)<br>(Loader must be equipped with an Attachment Control Kit) (When used on loaders equipped with a 14-Pin Attachment Control Kit, a 14-Pin Attachment T-Harness Kit is required – See Page 1) | \$34,599.38 | \$0.00 |

\*963 loader requires a Case Drain P/N 6806348 and an Attachment Control Kit for use with 18" and 24" Planers – see page 1.  
 Order Case Drain Kit from Bobcat Parts.

| Part Number | Description | Dealer Installed Accessories - Order From Sales | Labor |
|-------------|-------------|---|-------|
|             |             | Retail Price in US \$                           |       |

**Water Kit**

Note: Water Kits are available for use with the Planer attachments – see Water Kit page for details.

**Dealer Installed Drums for 14" – 24" Planers**

|         |   |            |        |
|---------|---|------------|--------|
| 6905178 | <b>2 1/2" Slot Cutting Drum</b><br>(For use in 14", 18" and 24" Planers) (With 21 bits) (Weight 89 lbs.)    | \$1,780.86 | \$0.00 |
| 6958406 | <b>4" Slot Cut Drum</b><br>(For use in 14", 18" and 24" Planers) (With 24 bits)(Weight 111 lbs.)            | \$1,976.52 | \$0.00 |
| 6661408 | <b>6" All Purpose Drum</b><br>(For use in 14", 18" and 24" Planers) (With 34 bits) (Weight 150 lbs.)        | \$2,588.56 | \$0.00 |
| 7165473 | <b>8" All Purpose Drum</b><br>(For use in 14", 18" and 24" Planers) (With 34 bits) (Weight 161 lbs.)        | \$2,768.84 | \$0.00 |
| 7165485 | <b>12" All Purpose Drum</b><br>(For use in 14", 18" and 24" Planers) (With 40 bits) (Weight 200 lbs.)       | \$3,573.91 | \$0.00 |
| 6905404 | <b>14" All Purpose Drum</b><br>(For use in 14", 18" and 24" Planers) (With 46 bits) (Weight 257 lbs.)       | \$3,415.73 | \$0.00 |
| 6906320 | <b>16" Surface Drum</b><br>(For use in 18" and 24" Planers) (With 184 bits) (Weight 265 lbs.)               | \$7,529.95 | \$0.00 |
| 7165503 | <b>16" Fast Cut All Purpose Drum</b><br>(For use in 18" and 24" Planers) (With 47 bits) (Weight 249 lbs.)   | \$4,704.99 | \$0.00 |
| 7165502 | <b>16" Smooth Cut All Purpose Drum</b><br>(For use in 18" and 24" Planers) (With 84 bits) (Weight 301 lbs.) | \$5,738.30 | \$0.00 |
| 7165505 | <b>18" Fast Cut All Purpose Drum</b><br>(For use in 18" and 24" Planers) (With 47 bits) (Weight 268 lbs.)   | \$4,794.70 | \$0.00 |
| 7165506 | <b>18" Smooth Cut All Purpose Drum</b><br>(For use in 18" and 24" Planers) (With 84 bits) (Weight 320 lbs.) | \$6,124.01 | \$0.00 |
| 6958266 | <b>24" Fast Cut All Purpose Drum</b><br>(For use in 24" Planer) (With 57 bits) (Weight 339 lbs.)            | \$6,500.38 | \$0.00 |
| 7165544 | <b>24" Smooth Cut All Purpose Drum</b><br>(For use in 24" Planer) (With 124 bits) (Weight 433 lbs.)         | \$8,161.72 | \$0.00 |

**Rock Bucket  
 Bobcat Loader Attachment**



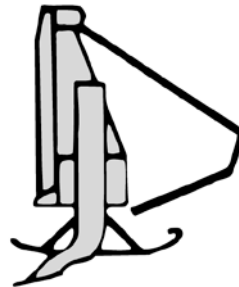


**Quick Specs**

|  | 62"     | 68"     | 74"     | 82"     |
|--|---------|---------|---------|---------|
| Operating Weight.....                                | 558 lbs | 605 lbs | 652 lbs | 700 lbs |
| Overall Width.....                                   | 61.9"   | 68.6"   | 75.4"   | 82.1"   |
| Overall Height.....                                  | 20.8"   | 20.8"   | 20.8"   | 20.8"   |
| Overall Length (Bucket Lip or Bottom of Bucket)..... | 43.6"   | 43.6"   | 43.6"   | 43.6"   |
| Tine Spacing.....                                    | 3"      | 3"      | 3"      | 3"      |
| Number of Tines.....                                 | 17      | 19      | 21      | 23      |

| Part Number   | Description | Attachment      | Retail Price in US \$ | Labor  |
|---|-------------|-----------------|-----------------------|--------|
| <b>(S100, S130, S150, S160, S175, S185, S205) (S450, S510, S530, S550, S570, S590, S595, S630, S650) (S62, S64, S66, S76)</b> |             |                 |                       |        |
| <b>(T110, T140, T180, T190) (T450, T550, T590, T595, T630, T650) (T62, T64, T66, T76)</b>                                     |             |                 |                       |        |
| 7185941   |             | 62" Rock Bucket | \$2,244.37            | \$0.00 |
| <b>(S130, S150, S160, S175, S185, S205) (S450, S510, S530, S550, S570, S590, S595, S630, S650, S740, S750, S770)</b>          |             |                 |                       |        |
| <b>(S62, S64, S66, S76) (T140, T180, T190) (T450, T550, T590, T595, T630, T650) (T62, T64, T66, T76)</b>                      |             |                 |                       |        |
| 7185943   |             | 68" Rock Bucket | \$2,345.96            | \$0.00 |
| <b>(S630, S650, S740, S750, S770, S850) (S76) (A770) (T630, T650, T740, T750, T770, T870) (T66, T76)</b>                      |             |                 |                       |        |
| 7185945   |             | 74" Rock Bucket | \$2,451.03            | \$0.00 |
| <b>(S630, S650, S740, S750, S770, S850) (S76) (A770) (T630, T650, T740, T750, T770, T870) (T76)</b>                           |             |                 |                       |        |
| 7185947   |             | 82" Rock Bucket | \$2,712.57            | \$0.00 |

**Scarifier  
Bobcat Loader Attachment**



**Quick Specs**

|                        |                            |
|------------------------|----------------------------|
| Ship Weight.....       | 350 lbs                    |
| # of Teeth.....        | 5 (7 without depth guides) |
| Maximum Dig Depth..... | Approx. 6"                 |

| Part Number  | Description | Attachment      | Retail Price in US \$ | Labor  |
|--|-------------|-----------------|-----------------------|--------|
| <b>(S130, S150, S160, S175, S185, S205) (S450, S510, S530, S550, S570, S590, S595, S630, S650, S740, S750, S770)</b> |             |                 |                       |        |
| <b>(S62, S64, S66, S76)(A770) (T110, T140, T180, T190) (T450, T550, T590, T595, T630, T650) (T62, T64, T66, T76)</b> |             |                 |                       |        |
| 6563526  |             | Front Scarifier | \$1,869.31            | \$0.00 |
| (Includes 2 Depth Guides and 5 Teeth)  |             |                 |                       |        |

**Scraper  
Bobcat Loader Attachment**

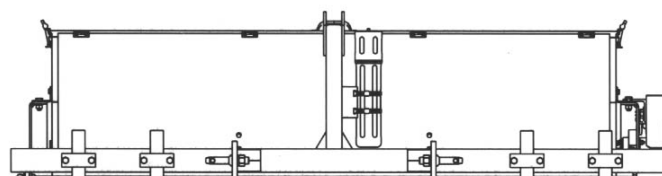


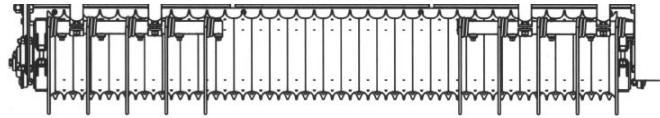
**Quick Specs**

|                       |         |
|-----------------------|---------|
| Operating Weight..... | 172 lbs |
| Height.....           | 19"     |
| Width.....            | 45"     |
| Length.....           | 55"     |
| Disk Diameter.....    | 22"     |

| Part Number | Description | Attachment | Retail Price in US \$ | Labor  |
|-------------|-------------|------------|-----------------------|--------|
| 6675211     |             | Scraper    | \$1,525.35            | \$0.00 |

**Seeder  
Bobcat Loader Attachment**





**Quick Specs**

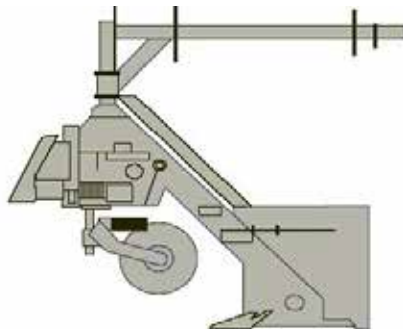
|                      |             |
|----------------------|-------------|
| Weight (empty).....  | 1,300 lbs   |
| Weight (full).....   | 1,425 lbs   |
| Height.....          | 44.0"       |
| Overall Width.....   | 88.0"       |
| Working Width.....   | 72.0"       |
| Length.....          | 43.0"       |
| Hopper Capacity..... | 4.0 bushels |

| Part Number  | Description | Attachment  | Retail Price in US \$ | Labor  |
|--|-------------|---|-----------------------|--------|
| (S130, S150, S160, S175, S185, S205) (S450, S510, S530, S550, S570, S590, S595, S630, S650, S740, S750, S770, S850) (S62, S64, S66, S76) (A770) (T140, T180, T190) (T450, T550, T590, T595, T630, T650, T740, T750, T770, T870) (T62, T64, T66, T76) |             |   |                       |        |
| 7167712  |             | Seeder, 72", 3PT Mounting<br>(Must also order Bob-Tach adapter) | \$9,067.05            | \$0.00 |

| Part Number | Description | Factory Installed Options  | Retail Price in US \$ | Labor  |
|-------------|-------------|--|-----------------------|--------|
| 7167758     |             | Bob-Tach Adapter<br>(Allows Seeder to mount on Bob-Tach equipped machines) | \$1,058.35            | \$0.00 |

| Part Number | Description | Dealer Installed Accessories - Order From Sales                            | Retail Price in US \$ | Labor  |
|-------------|-------------|--|-----------------------|--------|
| 7167759     |             | Bob-Tach Adapter<br>(Allows Seeder to mount on Bob-Tach equipped machines) | \$930.54              | \$0.00 |

**Silt Fence Installer  
 Bobcat Loader Attachment**



**Quick Specs**

|                       | <u>Rigid Frame</u> | <u>3-PT Rigid Frame</u> | <u>72" Side Shift*</u> | <u>84" Side Shift*</u> |
|-----------------------|--------------------|-------------------------|------------------------|------------------------|
| Operating Weight..... | 775 lbs            | 985 lbs                 | 1120 lbs               | 1165 lbs               |
| Height.....           | 70"                | 70"                     | 70"                    | 70"                    |
| Width.....            | 45.5"              | 45.5"                   | 72"                    | 84"                    |
| Length.....           | 72.8"              | 86.7"                   | 98"                    | 98"                    |

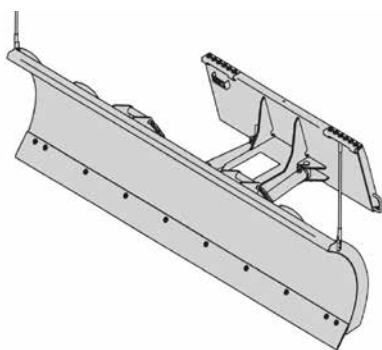
\*weight includes 3-Point to Loader adapter

| Part Number  | Description | Attachment   | Retail Price in US \$ | Labor  |
|--|-------------|--|-----------------------|--------|
| (S630, S650, S740, S750, S770, S850) (S76) (A770) (T180, T190) (T550, T590, T595, T630, T650, T740, T750, T770, T870) (T62, T64, T66, T76) |             |  |                       |        |
| 7137320  |             | Silt Fence Installer<br>(Must also order mounting frame) | \$6,395.89            | \$0.00 |

| Part Number | Description | Factory Installed Options   | Retail Price in US \$ | Labor  |
|-------------|-------------|---|-----------------------|--------|
| 7137333     |             | Loader Rigid Mounting Frame   | \$1,845.47            | \$0.00 |
| 7139171     |             | 3-Point Rigid Mounting Frame<br>(Must also order Adapter p/n 7137334)           | \$1,421.00            | \$0.00 |
| 7137332     |             | 3-Point Mounting Frame, 72" Side-Shift<br>(Must also order Adapter p/n 7137334) | \$3,609.72            | \$0.00 |
| 7137331     |             | 3-Point Mounting Frame, 84" Side-Shift<br>(Must also order Adapter p/n 7137334) | \$3,809.17            | \$0.00 |

| Part Number | Description | Dealer Installed Accessories - Order From Sales                     | Retail Price in US \$ | Labor  |
|-------------|-------------|---|-----------------------|--------|
| 7137334     |             | Adapter, 3-Point to Loader  | \$1,034.50            | \$0.00 |
| 7137759     |             | Hydraulic Top Link<br>(Recommended for use on tractor with 3-point) | \$469.36              | \$0.00 |

**Snow Blade  
 Bobcat Loader Attachment**



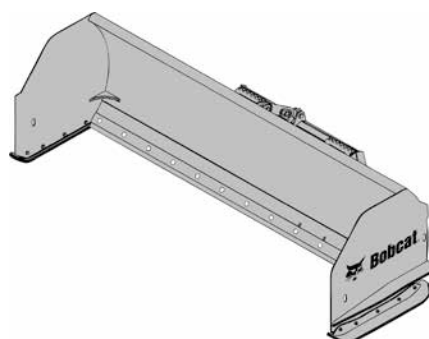
**Quick Specs**

|                                   | <u>54"</u> | <u>60"</u>    | <u>72"</u>    | <u>84"</u>     |
|-----------------------------------|------------|---------------|---------------|----------------|
| Operating Weight.....             | 310 lbs    | 580 lbs       | 590 lbs       | 620 lbs        |
| Width.....                        | 54"        | 60"           | 72"           | 84"            |
| Height.....                       | 21.9"      | 28"           | 28"           | 28"            |
| Working Width (Fully Angled)..... | 46.8"      | 52"           | 63"           | 73"            |
| Steel Cutting Edge.....           | .38" x 4"  | .375" x 6"    | .375" x 6"    | .375" x 6"     |
| Cylinders.....                    | 1          | 2             | 2             | 2              |
| Trip Springs.....                 | 2          | 4             | 4             | 4              |
| Optional Rubber Cutting Edge..... | 1" x 5"    | 1" x 6"       | 1" x 6"       | 1" x 6"        |
|                                   | <u>96"</u> | <u>86" HD</u> | <u>96" HD</u> | <u>108" HD</u> |
| Operating Weight.....             | 660 lbs    | 809 lbs       | 867 lbs       | 948 lbs        |
| Width.....                        | 96"        | 86"           | 96"           | 108"           |
| Height.....                       | 28"        | 28.4"         | 28.4"         | 28.4"          |
| Working Width (Fully Angled)..... | 83"        | 75"           | 83"           | 93"            |
| Steel Cutting Edge.....           | .375" x 6" | .5" x 6"      | .5" x 6"      | .5" x 6"       |
| Cylinders.....                    | 2          | 1             | 1             | 1              |
| Trip Springs.....                 | 4          | 4             | 4             | 4              |
| Optional Rubber Cutting Edge..... | 1" x 6"    | 1" x 6"       | 1" x 6"       | 1" x 6"        |

| Part Number   | Description  | Attachment | Retail Price in US \$ | Labor  |
|---|--|------------|-----------------------|--------|
| (MT50, MT52, MT55, MT85, MT100) (S70)<br>7196165  | 54" Utility Blade (with hydraulic angle)<br>(To be used as either a Snow Blade or a Dozer Blade) |            | \$2,238.50            | \$0.00 |
| (S100, S130, S150, S160) (T110) (S450, S510, S530, S550, S570, S590, S595) (T450) (L23, L28)<br>6906107   | 60" Snow Blade (with hydraulic angle)  |            | \$2,887.53            | \$0.00 |
| (S100, S130, S150, S160, S175, S185, S205) (S450, S510, S530, S550, S570, S590, S595, S630, S650) (S62, S64, S66, S76) (T110) (T450)<br>6905156   | 72" Snow Blade (with hydraulic angle)  |            | \$3,021.28            | \$0.00 |
| (S130, S150, S160, S175, S185, S205) (S450, S510, S530, S550, S570, S590, S595, S630, S650, S740, S750, S770) (S62, S64, S66, S76) (A770) (T450)<br>6716836   | 84" Snow Blade (with hydraulic angle)  |            | \$3,224.56            | \$0.00 |
| (S530, S550, S570, S590, S595, S630, S650, S740, S750, S770) (S62, S64, S66, S76) (A770) (T450)<br>6716838  | 96" Snow Blade (with hydraulic angle)  |            | \$3,495.25            | \$0.00 |
| (S130, S150, S160, S175, S185, S205) (S450, S510, S530, S550, S570, S590, S595, S630, S650, S740, S750, S770) (S62, S64, S66, S76) (A770) (T140, T180, T190) (T450, T550, T590, T595, T630, T650) (T62, T64, T66, T76)<br>7207861       | 86" Snow Blade – Heavy Duty (with hydraulic angle)   |            | \$5,011.90            | \$0.00 |
| (S130, S150, S160, S175, S185, S205) (S530, S550, S570, S590, S595, S630, S650, S740, S750, S770) (S62, S64, S66, S76) (A770) (T140, T180, T190) (T450, T550, T590, T595, T630, T650, T740, T750, T770) (T62, T64, T66, T76)<br>7207862 | 96" Snow Blade – Heavy Duty (with hydraulic angle)   |            | \$5,309.80            | \$0.00 |
| (S150, S160, S175, S185, S205) (S630, S650, S740, S750, S770, S850) (S76) (A770) (T180, T190) (T630, T650, T740, T750, T770, T870) (T76)<br>7207863   | 108" Snow Blade – Heavy Duty (with hydraulic angle)  |            | \$5,680.54            | \$0.00 |

| Part Number | Description   | Dealer Installed Accessories - Order From Sales | Retail Price in US \$ | Labor  |
|-------------|---|---|-----------------------|--------|
| 6716834     | End Wing Kit<br>(Converts 84" & 96" Snow Blades in to Snow Pushers) (Not for use on 60" or 72" Snow Blades) (Not for use on Heavy Duty Snow Blades) (Ship Weight 95 lbs.) |   | \$554.69              | \$0.00 |

**Snow Pusher  
Bobcat Loader Attachment**



**Quick Specs**



**Quick Specs**

|                       | <u>96"</u>       | <u>120"</u>      |
|-----------------------|------------------|------------------|
| Operating Weight..... | 1122 lbs         | 1256 lbs         |
| Overall Width.....    | 102"             | 128"             |
| Working Width.....    | 94.6"            | 121"             |
| Length.....           | 56.2"            | 56.2"            |
| Height.....           | 37.8"            | 37.8"            |
| Cutting Edge.....     | 1.5" x 8" Rubber | 1.5" x 8" Rubber |
| Skid Shoes.....       | .75" x 5" AR400  | .75" x 5" AR400  |
| Color.....            | Orange           | Orange           |
| <i>Float</i>          |                  |                  |
| Vertical.....         | 2.3"             | 2.3"             |
| Tilt.....             | 12 degrees       | 12 degrees       |
| Oscillation.....      | +/- 4.5 degrees  | +/- 4.5 degrees  |

| Part Number  | Description | Attachment       | Retail Price in US \$ | Labor  |
|--|-------------|------------------|-----------------------|--------|
| (S130, S150, S160, S175, S185, S205) (S450, S510, S530, S550, S570, S590, S595, S630, S650, S740, S750, S770, S850) (S62, S64, S66, S76) (A770) (T140, T180, T190) (T450, T550, T590, T595, T630, T650, T740, T750, T770, T870) (T62, T64, T66, T76) |             |                  |                       |        |
| 7113767  |             | 96" Snow Pusher  | \$3,986.71            | \$0.00 |
| (S205) (S550, S570, S590, S595, S630, S650, S740, S750, S770, S850) (S62, S64, S66, S76) (A770) (T180, T190) (T550, T590, T595, T630, T650, T740, T750, T770, T870) (T62, T64, T66, T76)   |             |                  |                       |        |
| 7116164  |             | 120" Snow Pusher | \$4,387.84            | \$0.00 |

**Snow Pusher Pro  
 Bobcat Loader Attachment**



**Quick Specs**

|                                    | <u>72"</u>          | <u>96"</u>          |
|------------------------------------|---------------------|---------------------|
| Operating Weight.....              | 1272 lbs            | 1473 lbs            |
| Overall Width.....                 | 80"                 | 104"                |
| Working Width.....                 | 72"                 | 96"                 |
| Length (includes interface).....   | 70.7"               | 75.8"               |
| Height.....                        | 40"                 | 40"                 |
| Cutting Edge (High Carbon Steel).. | 5/8" x 6"           | 5/8" x 6"           |
| Skid Shoes (Poly).....             | .36" x 9.75" x 1.5" | .36" x 9.75" x 1.5" |
| Number of Trip Springs.....        | 4                   | 4                   |
| Color.....                         | Orange              | Orange              |
| <i>Float</i>                       |                     |                     |
| Tilt.....                          | 35 degrees          | 35 degrees          |
| Oscillation.....                   | +/- 6 degrees       | +/- 6 degrees       |
|                                    | <u>108"</u>         | <u>120"</u>         |
| Operating Weight.....              | 1529 lbs            | 1589 lbs            |
| Overall Width.....                 | 116"                | 128"                |
| Working Width.....                 | 108"                | 120"                |
| Length (includes interface).....   | 75.8"               | 75.8"               |
| Height.....                        | 40"                 | 40"                 |
| Cutting Edge (High Carbon Steel).. | 5/8" x 6"           | 5/8" x 6"           |
| Skid Shoes (Poly).....             | .36" x 9.75" x 1.5" | .36" x 9.75" x 1.5" |
| Number of Trip Springs.....        | 4                   | 4                   |
| Color.....                         | Orange              | Orange              |
| <i>Float</i>                       |                     |                     |
| Tilt.....                          | 35 degrees          | 35 degrees          |
| Oscillation.....                   | +/- 6 degrees       | +/- 6 degrees       |

| Part Number   | Description | Attachment           | Retail Price in US \$ | Labor  |
|---|-------------|----------------------|-----------------------|--------|
| (S450*, S510, S530, S550, S570, S590, S595) (S62, S64, S66) (T140) (T450*, T550, T590, T595) (T62, T64, T66) (L23*, L28*)   |             |                      |                       |        |
| 7406869   |             | 72" Snow Pusher Pro  | \$9,168.15            | \$0.00 |
| (S150, S160, S175, S185, S205) (S510*, S530*, S550*, S570*, S590*, S595, S630, S650, S740, S750, S770, S850) (S62, S64, S66, S76) (A770) (T140, T180, T190) (T550*, T590*, T595, T630, T650, T740, T770, T870) (T62, T64, T66, T76) |             |                      |                       |        |
| 7385513   |             | 96" Snow Pusher Pro  | \$9,631.28            | \$0.00 |
| (S175, S185, S205) (S590*, S595, S630, S650, S740, S750, S770, S850) (S64, S66, S76) (A770) (T140, T180, T190) (T590*, T595 T630, T650, T740, T750, T770, T870) (T62, T64, T66, T76)  |             |                      |                       |        |
| 7385514   |             | 108" Snow Pusher Pro | \$9,878.09            | \$0.00 |
| (S630, S650, S740, S750, S770, S850) (S76) (A770) (T180, T190) (T630, T650, T740, T750, T770, T870) (T76)   |             |                      |                       |        |

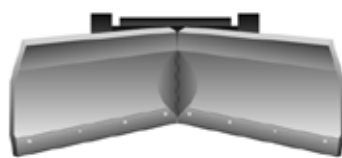
7385515 120" Snow Pusher Pro \$10,186.84 \$0.00

\*Weight kit recommended

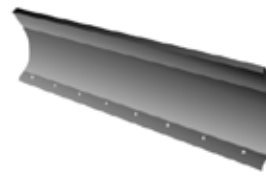
**Snow V-Blade  
 Bobcat Loader Attachment**



*Blade in "V" Configuration*



*Blade in "Scoop" Configuration*



*Blade in "Angled" Configuration*

**Quick Specs**

|   | <u>60"</u> | <u>72"</u> | <u>84"</u> | <u>96"</u> | <u>108"</u> |
|---|------------|------------|------------|------------|-------------|
| Operating Weight.....                     | 660 lbs    | 738 lbs    | 779 lbs    | 824 lbs    | 868 lbs     |
| Operating Weight with Oscillating kit.... | N/A        | 972 lbs    | 1013 lbs   | 1058 lbs   | 1102 lbs    |
| <i>Width:</i>                             |            |            |            |            |             |
| V-Configuration.....                      | 54"        | 64.5"      | 75"        | 85.5"      | 96"         |
| Scoop-Configuration.....                  | 53"        | 63"        | 74"        | 84"        | 95"         |
| 30° Angle-Configuration.....              | 54"        | 64"        | 75"        | 85"        | 95"         |
| Straight-Configuration.....               | 62"        | 74"        | 86"        | 98"        | 110"        |
| Height with Blade Extension.....          | 28.5"      | 32.8"      | 32.8"      | 32.8"      | 32.8"       |
| Length.....                               | 40"        | 47.3"      | 47.3"      | 47.3"      | 47.3"       |
| Oscillation (with flotation kit).....     | N/A        | +/- 10     | +/- 10     | +/- 10     | +/- 10      |

| Part Number | Description | Attachment | Retail Price in US \$ | Labor |
|-------------|-------------|------------|-----------------------|-------|
|-------------|-------------|------------|-----------------------|-------|

(S100) (S130, S150, S160, S175, S185, S205) (S450, S510, S530, S550, S570, S590, S595) (S62, S64) (T110, T140) (T450) (L23, L28)

**7104861** **60" Snow V-Blade, 7-Pin** \$5,329.31 \$0.00  
 (Loader must be equipped with an Attachment Control Kit – see Page 1) (When used on loaders equipped with a 14-Pin Attachment Control Kit a 14-Pin Attachment T-Harness Kit (P/N 6725383) is required – See Page 1) (Blade is equipped with fingertip 7-Pin Control. Adjustable blade width from 53-60 inches.)

(S130, S150, S160, S175, S185, S205) (S450, S510, S530, S550, S570, S590, S595) (S62, S64, S66) (T140, T180, T190) (T450, T550, T590, T595) (T62, T64, T66)

**6958576** **72" Snow V-Blade** \$5,601.11 \$0.00  
 (Loader must be equipped with an Attachment Control Kit) (When used on loaders equipped with a 14-Pin Attachment Control Kit a 14-Pin Attachment T-Harness Kit (P/N 6725383) is required – See Page 1)

(S130, S150, S160, S175, S185, S205) (S450, S510, S530, S550, S570, S590, S595, S630, S650, S740, S750, S770) (S62, S64, S66, S76) (A770) (T140, T180, T190) (T450, T550, T590, T595, T630, T650, T740, T750, T770) (T62, T64, T66, T76)

**6958577** **84" Snow V-Blade** \$5,869.70 \$0.00  
 (Loader must be equipped with an Attachment Control Kit) (When used on loaders equipped with a 14-Pin Attachment Control Kit a 14-Pin Attachment T-Harness Kit (P/N 6725383) is required – See Page 1)

(S175, S185, S205) (S530, S550, S570, S590, S595, S630, S650, S740, S750, S770) (S62, S64, S66, S76) (A770) (T180, T190) (T550, T590, T595, T630, T650, T740, T750, T770) (T62, T64, T66, T76)

**6958578** **96" Snow V-Blade** \$6,139.30 \$0.00  
 (Loader must be equipped with an Attachment Control Kit) (When used on loaders equipped with a 14-Pin Attachment Control Kit a 14-Pin Attachment T-Harness Kit (P/N 6725383) is required – See Page 1)

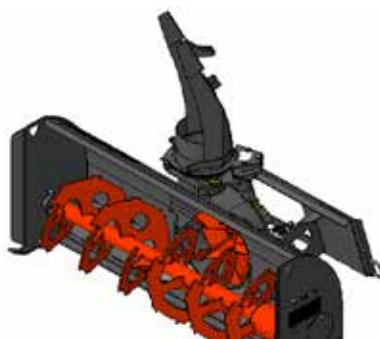
(S630, S650, S740, S750, S770) (S76) (A770) (T630, T650, T740, T750, T770) (T76)

**6958579** **108" Snow V-Blade** \$6,408.90 \$0.00  
 (Loader must be equipped with an Attachment Control Kit) (When used on loaders equipped with a 14-Pin Attachment Control Kit a 14-Pin Attachment T-Harness Kit (P/N 6725383) is required – See Page 1)

| Part Number | Description | Dealer Installed Accessories - Order From Sales | Retail Price in US \$ | Labor |
|-------------|-------------|---|-----------------------|-------|
|-------------|-------------|---|-----------------------|-------|

**7102603** **Blade Flotation Kit** \$1,078.66 \$202.50  
 (Allows blade to oscillate +/- 10 degrees, includes pin to lock in place at 0 degrees) (Approved for use with 72", 84", 96" and 108" Snow V-Blades) (The frame flotation mounts between the existing frame and blade and will extend the overall blade length eight-inches from the Bob-Tach.) (Shipping weight 254 lbs.) (Estimated install time 1.5 hrs)

**Snowblower  
 Bobcat Loader Attachment**





**Quick Specs**

|                        | <u>SB26 x 36"</u> | <u>SB26 x 48"</u> | <u>SB26 x 56"</u> | <u>SB32 x 60"</u> | <u>SB32 x 68"</u> |
|------------------------|-------------------|-------------------|-------------------|-------------------|-------------------|
| Chute Rotation.....    | 270°              | 270°              | 270°              | 270°              | 270°              |
| Deflector Control..... | Hydraulic         | Hydraulic         | Hydraulic         | Hydraulic         | Hydraulic         |
| Throw Distance.....    | Up to 25'         | Up to 25'         | Up to 25'         | Up to 40'         | Up to 40'         |
| Flow Range.....        | 8-17 GPM          | 8-17 GPM          | 8-17 GPM          | 13-31 GPM         | 13-31 GPM         |
| Fan Diameter.....      | 15"               | 15"               | 15"               | 19.5"             | 19.5"             |
| Auger Diameter.....    | 14"               | 14"               | 14"               | 20"               | 20"               |
| Length.....            | 36"               | 48"               | 56"               | 61.5"             | 69.5"             |
| Width.....             | 38.5"             | 38.5"             | 38.5"             | 45"               | 45"               |
| Intake Height.....     | 26.5"             | 26.5"             | 26.5"             | 33"               | 33"               |
| Max Pressure.....      | 3000 psi          | 3000 psi          | 3000 psi          | 3400 psi          | 3400 psi          |
| Operating Weight.....  | 620 lbs           | 672 lbs           | 700 lbs           | 920 lbs           | 941 lbs           |
|                        | <u>SB32 x 74"</u> | <u>SB32 x 80"</u> | <u>SB32 x 86"</u> | <u>SB36 x 86"</u> | <u>SB36 x 96"</u> |
| Chute Rotation.....    | 270°              | 270°              | 270°              | 270°              | 270°              |
| Deflector Control..... | Hydraulic         | Hydraulic         | Hydraulic         | Hydraulic         | Hydraulic         |
| Throw Distance.....    | Up to 40'         | Up to 40'         | Up to 40'         | Up to 40'         | Up to 40'         |
| Flow Range.....        | 13-31 GPM         | 13-31 GPM         | 13-31 GPM         | 36-45 GPM         | 36-45 GPM         |
| Fan Diameter.....      | 19.5"             | 19.5"             | 19.5"             | 24"               | 24"               |
| Auger Diameter.....    | 20"               | 20"               | 20"               | 24"               | 24"               |
| Length.....            | 75.5"             | 81.5"             | 87"               | 87.5"             | 97.5"             |
| Width.....             | 45"               | 45"               | 45"               | 51"               | 51"               |
| Intake Height.....     | 33"               | 33"               | 33"               | 37"               | 37"               |
| Max Pressure.....      | 3400 psi          | 3400 psi          | 3400 psi          | 4000 psi          | 4000 psi          |
| Operating Weight.....  | 981 lbs           | 1016 lbs          | 1041 lbs          | 1396 lbs          | 1457 lbs          |

**SB26 Hydraulic Motor Packages**

*Must order a Hydraulic Motor Package with the SB26 Snowblower Models*  
*For current loaders only – match hydraulic flow of older loaders with snowblower flow recommendations*

OMPX 50cc Motor Package..... 8-12 gpm

**SB32 Hydraulic Motor Packages**

*Must order a Hydraulic Motor Package with the SB32 Snowblower Models*  
*For current loaders only – match hydraulic flow of older loaders with snowblower flow recommendations*

80cc Motor Package..... 13-17 gpm  
 100cc Motor Package..... 17-21 gpm  
 130cc Motor Package..... 22-25 gpm  
 160cc Motor Package..... 26-31 gpm

**SB36 Hydraulic Motor Packages**

*Must order this Hydraulic Motor Package with the SB36 Snowblower Models*  
*For current loaders only – match hydraulic flow of older loaders with snowblower flow recommendations*

OMPX 315cc Motor Package..... 36-45 gpm

| Part Number | Description | SB26 Snowblower | Retail Price in US \$ | Labor |
|-------------|-------------|-----------------|-----------------------|-------|
|-------------|-------------|-----------------|-----------------------|-------|

*Must order a hydraulic motor package with the SB26 Snowblowers*

|                               |                               |                         |            |        |
|-------------------------------|-------------------------------|-------------------------|------------|--------|
| (MT55, MT85) (S70)            |                               |                         |            |        |
| M7052                         |                               | SB26 x 36"              | \$5,504.34 | \$0.00 |
| M7052-R01-C01                 |                               | OMPX 50cc Motor Package | \$745.00   | \$0.00 |
| (MT55, MT85) (L23, L28) (S70) |                               |                         |            |        |
| M7053                         |                               | SB26 x 48"              | \$5,843.53 | \$0.00 |
| M7053-R01-C01                 |                               | OMPX 50cc Motor Package | \$745.00   | \$0.00 |
| (MT55, MT85) (L23, L28) (S70) |                               |                         |            |        |
| M7054                         |                               | SB26 x 56"              | \$6,191.48 | \$0.00 |
| M7054-R01-C01                 |                               | OMPX 50cc Motor Package | \$745.00   | \$0.00 |
|                               | (MT55, MT85) (L23, L28) (S70) |                         |            |        |

| Part Number  | Description  | SB32 Snowblower              | Retail Price in US \$ | Labor         |
|--|--|------------------------------|-----------------------|---------------|
| <i>Must order a hydraulic motor package with the SB32 Snowblowers<br/>Loader must be equipped with a 7-pin Attachment Control Kit</i>  |  |                              |                       |               |
| (S450) (T450)<br><b>M7046</b>  |  | <b>SB32 x 60" Snowblower</b> | <b>\$6,748.14</b>     | <b>\$0.00</b> |
| M7046-R01-C01  | (S450, T450)   | 80cc Motor Package           | \$1,018.00            | \$0.00        |
| M7046-R01-C02  | (S450, T450)   | 100cc Motor Package          | \$1,022.00            | \$0.00        |
| (S450, S550, S550H, S570, S570H, S590, S590H, S595) (S62, S62H, S64, S64H, S66, S66H) (T450, T550, T550H, T590, T590H, T595, T595H) (T62, T62H, T64, T64H, T66, T66H)<br><b>M7047</b>  |  | <b>SB32 x 68" Snowblower</b> | <b>\$6,913.39</b>     | <b>\$0.00</b> |
| M7047-R01-C01  | (S450, S550, S570, S590, S595) (S62, S64, S66) (T450, T550, T590, T595) (T62, T64, T66)                                      | 80cc Motor Package           | \$1,018.00            | \$0.00        |
| M7047-R01-C02  | (S450, S550, S570, S590, S595) (T450, T550, T590, T595)  | 100cc Motor Package          | \$1,022.00            | \$0.00        |
| M7047-R01-C03  | (S550H, S570H, S590H) (T550H, T590H)   | 130cc Motor Package          | \$1,067.00            | \$0.00        |
| M7047-R01-C04  | (S550H, S570H, S590H) (S62H, S64H, S66H) (T550H, T590H, T595H) (T62H, T64H, T66H)  | 160cc Motor Package          | \$1,097.00            | \$0.00        |
| (S450, S550, S550H, S570, S570H, S590, S590H, S595, S630, S630H, S650H, S740, S750, S770) (S62, S62H, S64, S64H, S66, S66H, S76, S76H) (T450, T550, T550H, T590, T590H, T595, T595H, T630, T630H, T740) (T62, T62H, T64, T64H, T66, T66H, T76, T76H)<br><b>M7045</b> |  | <b>SB32 x 74" Snowblower</b> | <b>\$7,177.50</b>     | <b>\$0.00</b> |
| M7045-R01-C01  | (S450, S550, S570, S590, S595) (S62, S64, S66) (T450, T550, T590, T595) (T62, T64, T66)                                      | 80cc Motor Package           | \$1,018.00            | \$0.00        |
| M7045-R01-C02  | (S450, S550, S570, S590, S595) (S62, S64, S66) (T450, T550, T590, T595) (T62, T64, T66)                                      | 100cc Motor Package          | \$1,022.00            | \$0.00        |
| M7045-R01-C03  | (S550H, S570H, S590H, S630, S740, S750, S770) (S76) (T550H, T590H, T630) (T76)   | 130cc Motor Package          | \$1,067.00            | \$0.00        |
| M7045-R01-C04  | (S550H, S570H, S590H, S630H, S650H) (S62H, S64H, S66H, S76, S76H) (T550H, T590H, T595H, T630H) (T62H, T64H, T66H, T76, T76H) | 160cc Motor Package          | \$1,097.00            | \$0.00        |
| (S450, S550, S550H, S570, S570H, S590, S590H, S595, S630, S630H, S650H) (S62, S62H, S64, S64H, S66, S66H, S76, S76H) (A770) (T450, T550, T550H, T590, T590H, T595, T595H, T630H, T740H, T770) (T62, T62H, T64, T64H, T66, T66H, T76, T76H)<br><b>M7048</b>           |  | <b>SB32 x 80" Snowblower</b> | <b>\$7,381.94</b>     | <b>\$0.00</b> |
| M7048-R01-C01  | (S450, S550, S595) (S62, S64, S66) (T450, T595) (T62, T64, T66)  | 80cc Motor Package           | \$1,018.00            | \$0.00        |
| M7048-R01-C02  | (S550, S570, S590, S595) (T550, T590, T595)  | 100cc Motor Package          | \$1,022.00            | \$0.00        |
| M7048-R01-C03  | (S550H, S570H, S590H, S630, S740, S750, S770, S850) (S76) (A770) (T550H, T590H, T630, T740, T770) (T76)                      | 130cc Motor Package          | \$1,067.00            | \$0.00        |
| M7048-R01-C04  | (S550H, S570H, S590H, S630H, S650H) (S62H, S64H, S66H, S76H) (T550H, T590H, T595H, T630H, T740H) (T62H, T64H, T66H, T76H)    | 160cc Motor Package          | \$1,097.00            | \$0.00        |
| (S595, S630, S630H, S650H, S740, S750, S770, S850) (S76, S76H) (A770) (T595, T595H, T630, T630H, T740, T740H, T770, T870) (T76, T76H)<br><b>M7049</b>  |  | <b>SB32 x 86" Snowblower</b> | <b>\$8,221.23</b>     | <b>\$0.00</b> |
| M7049-R01-C02  | (S595) (T595)  | 100cc Motor Package          | \$1,022.00            | \$0.00        |
| M7049-R01-C03  | (S630, S740, S750, S770, S850) (S76) (A770) (T630, T740, T770, T870) (T76)   | 130cc Motor Package          | \$1,067.00            | \$0.00        |
| M7049-R01-C04  | (S630H, S650H) (S76H) (T595H, T630H, T740H) (T76H)   | 160cc Motor Package          | \$1,097.00            | \$0.00        |
| Part Number  | Description  | SB36 Snowblower              | Retail Price in US \$ | Labor         |
| <i>Must order 315cc Motor Package with the SB36 Snowblowers<br/>Loader must be equipped with a 7-pin Attachment Control Kit</i>  |  |                              |                       |               |
| (A770H) (T770H, T870H)<br><b>M7050</b>   |  | <b>SB36 x 86" Snowblower</b> | <b>\$10,315.10</b>    | <b>\$0.00</b> |
| M7050-R01-C01  |  | OMPX 315cc Motor Package     | \$2,258.00            | \$0.00        |

(A770H) (T770H, T870H)  
 M7051

SB36 x 96" Snowblower

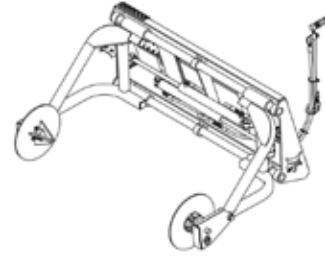
\$10,871.74 \$0.00

M7051-R01-C01

OMPX 315cc Motor Package

\$2,258.00 \$0.00

**Sod Layer  
 Bobcat Loader Attachment**



**Quick Specs**

Operating Weight..... 596 lbs  
 Length..... 49.1"  
 Width (maximum overall)..... 73.0"  
 Height..... 31.0"  
 Sod Roll Widths..... 24.0" – 48.0"  
 Maximum Diameter Sod Roll..... 50.0"  
 Arm Cylinders (2)..... 2.0" X 1.0" X 18.5" Stroke  
 Relief Valve Setting..... 400 psi

| Part Number  | Description | Attachment | Retail Price in US \$ | Labor  |
|--|-------------|------------|-----------------------|--------|
| (S130, S150, S160, S175, S185, S205) (S450, S510, S530, S550, S570, S590, S595, S630, S650, S740, S750, S770, S850) (S62, S64, S66, S76) (A770) (T140, T180, T190) (T450, T550, T590, T595, T630, T650, T740, T750, T770, T870) (T62, T64, T66, T76) |             | Sod Layer  | \$5,019.50            | \$0.00 |

**Soil and Asphalt Spreader  
 Bobcat Loader Attachment**



**Quick Specs**

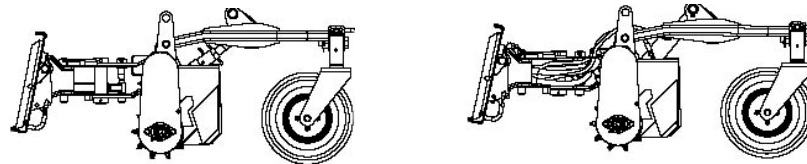
**SAS200**

Standard Width..... 74.8"  
 Optional Width..... 77"  
 Asphalt Thickness..... 0"-4"  
 Side Shift..... Hydraulic  
 Weight..... 1488 lbs.  
 Ave. working speed (ft/min)..... 165-396  
 Min. required hydraulic flow..... 12 GPM  
 Transverse Tilt..... 5°

| Part Number  | Description | Attachment                     | Retail Price in US \$ | Labor  |
|--|-------------|--------------------------------|-----------------------|--------|
| (S450, S740, S770, S850) (S62, S64, S66, S76) (T450, T740, T770, T870) (T62, T64, T66) |             | Soil and Asphalt Spreader..... | \$14,008.24           | \$0.00 |

| Dealer Installed Accessories - Order From Sales |                        |  |                       |        |
|---|------------------------|--|-----------------------|--------|
| Part Number                                     | Description            |  | Retail Price in US \$ | Labor  |
| 7403712   | Side Wing Kit.....     |  | \$804.98              | \$0.00 |
| 7415330   | Control Panel Kit..... |  | \$667.49              | \$0.00 |

**Soil Conditioner  
 Bobcat Loader Attachment**



72-in

84-in

**Quick Specs**

Overall Length..... 48-in Man. 57.9"    72-in Man. 67.9"    72-in Hyd. 67.9"

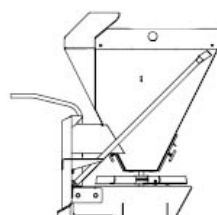
Loader Attachments

|                                    |           |           |             |
|------------------------------------|-----------|-----------|-------------|
| Overall Width.....                 | 60.6"     | 86.2"     | 86.2"       |
| Working Width – Fully Angled.....  | 46.0"     | 65.0"     | 65.0"       |
| Degree of Angle Left or Right..... | 25°       | 25°       | 25°         |
| Number of Teeth.....               | 81        | 121       | 121         |
| Operating Weight.....              | 636 lbs.  | 1110 lbs. | 1110 lbs.   |
| Hydraulic Requirements.....        | 10-18 gpm | 13-37 gpm | 13-37 gpm   |
| Tires.....                         | Pneumatic | Pneumatic | Foam-Filled |
| Float or Lock Position.....        | Lock      | Both      | Both        |
| Depth Adjustment.....              | Manual    | Manual    | Hydraulic   |
| Angle Adjustment.....              | Manual    | Manual    | Hydraulic   |

|                                    |                 |                   |                 |
|------------------------------------|-----------------|-------------------|-----------------|
|                                    | <u>72-in HF</u> | <u>84-in Hyd.</u> | <u>84-in HF</u> |
| Overall Length.....                | 67.9"           | 67.9"             | 67.9"           |
| Overall Width.....                 | 86.2"           | 98.2"             | 98.2"           |
| Working Width – Fully Angled.....  | 65.0"           | 76.0"             | 76.0"           |
| Degree of Angle Left or Right..... | 25°             | 25°               | 25°             |
| Number of Teeth.....               | 121             | 141               | 141             |
| Operating Weight.....              | 1110 lbs.       | 1268 lbs.         | 1268 lbs.       |
| Hydraulic Requirements.....        | 25-37 gpm       | 18-37 gpm         | 30-37 gpm       |
| Tires.....                         | Foam-Filled     | Foam-Filled       | Foam-Filled     |
| Float or Lock Position.....        | Both            | Both              | Both            |
| Depth Adjustment.....              | Hydraulic       | Hydraulic         | Hydraulic       |
| Angle Adjustment.....              | Hydraulic       | Hydraulic         | Hydraulic       |

| Part Number   | Description | Attachment  | Retail Price in US \$ | Labor  |
|---|-------------|---|-----------------------|--------|
| (MT50, MT52, MT55, MT85, MT100) (S70, S100) (T110) (L23, L28)<br>6958310  |             | 48" Soil Conditioner, Manual Angle  | \$8,477.84            | \$0.00 |
| (S130, S150, S160, S160H, S175, S185, S185H, S205, S205H) (S450, S510, S530, S550, S550H, S570, S570H, S590, S590H, S595, S595H, S630, S630H, S650, S650H, S740, S740H, S750, S750H, S770, S770H) (S62, S62H, S64, S64H, S66, S66H, S76, S76H) (A770, A770H) (T140, T180, T180H, T190, T190H) (T450, T550, T550H, T590, T590H, T595, T595H, T630, T630H, T650, T650H, T740H, T770, T770H) (T62, T62H, T64, T64H, T66, T66H, T76, T76H)<br>6906513 |             | 72" Soil Conditioner, Manual Angle  | \$10,956.52           | \$0.00 |
| 7135945   |             | 72" Soil Conditioner, Hydraulic Angle and Depth<br>(Loader must be equipped with an Attachment Control Kit)           | \$11,905.66           | \$0.00 |
| (S160H, S185H, S205H) (S550H, S570H, S590H, S595H, S630H, S650H, S740H, S750H, S770H) (S62H, S64H, S66H, S76H) (A770H) (T180H, T190H) (T550H, T590H, T595H, T630H, T650H, T740H, T750H, T770H)<br>7135944   |             | 72" Soil Conditioner, High Flow Hydraulic Angle and Depth<br>(Loader must be equipped with an Attachment Control Kit) | \$12,316.63           | \$0.00 |
| (S175, S185, S185H, S205, S205H) (S510, S530, S550, S550H, S570, S570H, S590, S590H, S595, S595H, S630, S630H, S650, S650H, S740, S740H, S750, S750H, S770, S770H, S850) (S62, S62H, S64, S64H, S66, S66H, S76, S76H) (A770, A770H) (T180, T180H, T190, T190H) (T550, T550H, T590, T590H, T595, T595H, T630, T630H, T650, T650H, T740, T740H, T750, T750H, T770, T770H, T870) (T62, T62H, T64, T64H, T66, T66H, T76, T76H)<br>7135946             |             | 84" Soil Conditioner, Hydraulic Angle and depth<br>(Loader must be equipped with an Attachment Control Kit)           | \$12,589.51           | \$0.00 |
| (S630H, S650H, S740H, S750H, S770H, S850H) (S76H) (A770H) (T630H, T650H, T740H, T750H, T770H, T870H) (T76H)<br>7135947  |             | 84" Soil Conditioner, High Flow Hydraulic Angle and Depth<br>(Loader must be equipped with an Attachment Control Kit) | \$13,137.47           | \$0.00 |

**HS8 Spreader  
Bobcat Loader Attachment**



**Quick Specs**

|   |   |
|---|---|
| Operating Weight with Loader Mount (empty)..... | 387 lbs   |
| Height.....                                     | 40.9"   |
| Width.....                                      | 54.4"   |
| <i>Hopper Capacity</i>                          |   |
| Top of Hopper.....                              | 9.6 Cu. ft.   |
| Bottom of Grate.....                            | 7.6 Cu. ft.   |
| Spreading Pattern.....                          | 18.4 @ 1500 RPM<br>22.6 @ 2000 RPM<br>28.4 @ 2500 RPM |
| Speed Control.....                              | Dial control  |
| Motor.....                                      | Hydraulic   |
| Spinner Wheel.....                              | 18" diameter  |
| Maximum Hydraulic Flow.....                     | 22 GPM  |

| Part Number   | Description | Attachment   | Retail Price in US \$ | Labor  |
|---|-------------|--------------|-----------------------|--------|
| (S130, S150, S160, S175, S185, S205) (S450, S510, S530, S550, S570, S590, S595, S630, S650, S740, S750, S770, S850) (S62, S64, S66, S76) (A770) (T140, T180, T190) (T450, T550, T590, T630, T650, T740, T750, T770, T870) (T62, T64, T66, T76)<br>7157284 |             | HS8 Spreader | \$4,634.66            | \$0.00 |

**Steel Tracks**

**Bobcat Loader Attachment**

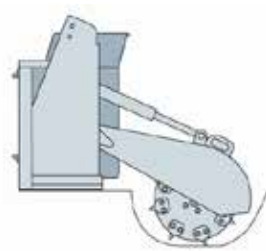


| Attachment   |            |           |                           |                       |           |                    | Labor  |
|--|------------|-----------|---------------------------|-----------------------|-----------|--------------------|--------|
| Part Number  | Tire Size  | # of Pads | Machine width with tracks | Wheel Spacers (incl.) | Ship Wgt. | tail Price in US\$ |        |
| <b>Complete Track Package</b>  |            |           |                           |                       |           |                    |        |
| <i>Each part number includes a set of tracks, web binder, hardware, and if required, wheel spacers and lift arm stops.</i>   |            |           |                           |                       |           |                    |        |
| (S175, S185)<br>7111882  | 10.00-16.5 | 34        | 69"                       | none                  | 920       | \$4,182.98         | \$0.00 |
| Note: Tracks will not work with 773, S175, S185 with 60" offset rims.  |            |           |                           |                       |           |                    |        |
| (S510, S530, S550, S570)<br>7222581  | 10.00-16.5 | 34        | 72"                       | 2"                    | 913       | \$5,114.66         | \$0.00 |
| Note: Order p/n 7233132 if loader is equipped with 31-12-16.5 tires.   |            |           |                           |                       |           |                    |        |
| (S510, S530, S550, S570, S590, S595)<br>7233132  | 31-12-16.5 | 34        | 76"                       | none                  | 963       | \$4,309.67         | \$0.00 |
| Note: Requires rims to be reversed for proper spacing. Flange nuts included for securing the rim.<br>Order p/n 7222581 if loader is equipped with 10-16.5 tires.<br>Bucket will be narrower than the 76" over the track width. |            |           |                           |                       |           |                    |        |
| (S630, S650)<br>7178955  | 12.00-16.5 | 38        | 79"                       | 2"                    | 1197      | \$5,391.85         | \$0.00 |
| (S740, S750, S770)<br>7191754  | 12.00-16.5 | 38        | 79"                       | 2"                    | 1201      | \$6,521.74         | \$0.00 |
| (S850)<br>7191757  | 14.00-17.5 | 42        | 86"                       | 2"                    | 1366      | \$7,545.56         | \$0.00 |

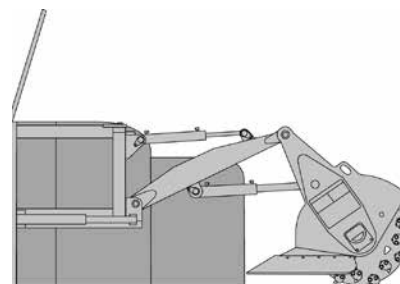
**Note on use of poly fill tires and other non-pneumatic tires with steel tracks**  
 Only pneumatic tires and tires with Superflex formula poly fill manufactured by Arnco are permitted for use inside steel tracks. Bobcat factory poly-filled tires meet this requirement. All other tires including Bobcat Solid Tires (Twin Flex, Smooth Flex, Smooth Solid, etc.) are considered non-approved. The use of non-approved tires will void the loader and track warranties. For more information, see service letter #5010 dated 15 July 2002.

| Dealer Installed Accessories - Order From Sales  |  |  | Retail Price in US \$ | Labor  |
|--|--|--|-----------------------|--------|
| Part Number  | Description  |  |                       |        |
| <b>Replacement Track Sets</b>  |  |  |                       |        |
| <i>Each part number includes a set of tracks and web binder.<br/>Additional hardware, wheel spacers and lift-arm stops are not included.</i> |  |  |                       |        |
| (S150, S160, S175, S185)<br>7111882  | Tracks<br>(Fits 10.0-16.5 tires) (Ship Weight 918 lbs.)  |  | \$4,182.98            | \$0.00 |
| (S590, S595)<br>7233132  | Tracks<br>(Fits 31-12x16.5 tires) (Ship Weight 963 lbs.) (Includes flange nuts) (Rims must be reversed for proper spacing) |  | \$4,309.67            | \$0.00 |

**Stump Grinder  
 Bobcat Loader Attachment**



SG30 Stump Grinder



SG60 and SGX60 Stump Grinder

**Quick Specs**

|                                   | <u>SG30</u> | <u>SG60</u> | <u>SGX60</u> |
|-----------------------------------|-------------|-------------|--------------|
| Operating Weight.....             | 460 lbs     | 980 lbs     | 995 lbs      |
| Flow Range.....                   | 10-14 gpm   | 17-32 gpm*  | 25-40 gpm*   |
| Overall Length.....               | 46.3"       | 45"         | 45"          |
| Overall Transport Length.....     | 39.5"       | 65.8"       | 65.8"        |
| Overall Height.....               | 33.5"       | 59.4"       | 59.4"        |
| Wheel Diameter.....               | 18"         | 27"         | 27"          |
| Number of Teeth.....              | 16          | 32          | 32           |
| Grinder Reach @ Ground Level..... | 46.3"       | 74"         | 74"          |
| Maximum Cutting Height.....       | 11"         | 32"         | 32"          |
| Maximum Cutting Depth.....        | 11"         | 15"         | 15"          |
| Maximum Cutting Arc.....          | 90°         | 80°         | 80°          |

| Part Number  | Description | Attachment   | Retail Price in US \$ | Labor  |
|--|-------------|--|-----------------------|--------|
| (MT50, MT52, MT55, MT85, MT100) (S70) (L23, L28)<br>7100641  |             | <b>SG30 Stump Grinder</b><br>(Loader must be equipped with a 14-Pin Attachment Control Kit – See Page 3-6)   | \$6,643.78            | \$0.00 |
| (S160, S160H, S175, S185, S185H, S205, S205H) (S510, S530, S550, S550H, S570, S570H, S590, S590H, S595, S595H, S630, S630H, S650, S650H, S740, S750, S770, S850) (S62, S62H, S64, S64H, S66, S66H, S76H) (A770) (T180, T180H, T190, T190H) (T550, T550H, T590, T590H, T595, T595H, T630, T630H, T650, T650H, T740, T750, T770, T870) (T62, T62H, T64, T64H, T66, T66H, T76, T76H)<br>6808034 |             | <b>SG60 Stump Grinder</b><br>*Not approved for use with 37 GPM High Flow Loaders<br>(Loader must be equipped with an Attachment Control Kit – See Page 3-6) (When used on loaders equipped with a 14-Pin Attachment Control Kit, a 14-Pin Attachment T-Harness Kit is required – See Page 6) | \$11,704.52           | \$0.00 |
| (S185H, S205H) (S550H, S570H, S590H, S595H, S630H, S650H, S740H, S750H, S770H, S850H) (S62H, S64H, S66H, S76H) (A770H) (T180H, T190H) (T550H, T590H, T595H, T630H, T650H, T740H, T750H, T770H, T870H) (T62H, T64H, T66H, T76H)<br>7112201  |             | <b>SGX60 Stump Grinder</b><br>(Loader must be equipped with an Attachment Control Kit – See Page 3-6) (When used on loaders equipped with a 14-Pin Attachment Control Kit, a 14-Pin Attachment T-Harness Kit is required – See Page 6)   | \$12,112.20           | \$0.00 |

**Sweeper  
Bobcat Loader Attachment**



**Quick Specs**

|                                  |   |                        |                       |
|----------------------------------|---|------------------------|-----------------------|
| Operating Weight.....            | <u>44"</u><br>573 lbs   | <u>54"</u><br>654 lbs  | <u>60"</u><br>888 lbs |
| Sweep Width.....                 | 44"   | 54"                    | 60"                   |
| Overall Attachment Width.....    | 49.9"   | 59.7"                  | 65.7"                 |
| Bucket Capacity.....             | 3.0 cu. ft.   | 3.7 cu. ft.            | 8.7 cu. Ft.           |
| Broom Diameter.....              | 24"   | 24"                    | 26.3"                 |
| Bristle Sections (Included)..... | 21  | 26                     | 30                    |
| Bristle Material.....            | Replaceable Polypropylene sections (steel sections available) |                        |                       |
| Cutting Edge (Repl. Steel).....  | 5/8" x 6"   | 5/8" x 6"              | 5/8" x 6"             |
| Broom RPM @ 12 GPM.....          | 182   | 182                    | 258                   |
| Hydraulic Flow Range.....        | 9.5-19.0 GPM  | 9.5-19.0 GPM           | 16.0-23.0 GPM         |
| Travel.....                      | Frwd/Rev  | Frwd/Rev               | Frwd/Rev              |
| Operating Weight.....            | <u>72"</u><br>1004 lbs  | <u>84"</u><br>1122 lbs |                       |
| Sweep Width.....                 | 72"   | 84"                    |                       |
| Overall Attachment Width.....    | 77.7"   | 89.7"                  |                       |
| Bucket Capacity.....             | 10.4 cu. ft.  | 12.2 cu. ft.           |                       |
| Broom Diameter.....              | 26.3"   | 26.3"                  |                       |
| Bristle Sections (Included)..... | 36  | 42                     |                       |
| Bristle Material.....            | Replaceable Polypropylene sections (steel sections available) |                        |                       |
| Cutting Edge (Repl. Steel).....  | 5/8" x 6"   | 5/8" x 6"              |                       |
| Broom RPM @ 12 GPM.....          | 258   | 258                    |                       |
| Hydraulic Flow Range.....        | 16.0-23.0 GPM   | 16.0-23.0 GPM          |                       |
| Travel.....                      | Frwd/Rev  | Frwd/Rev               |                       |

| Part Number   | Description | Attachment         | Retail Price in US \$ | Labor  |
|---|-------------|--------------------|-----------------------|--------|
| (MT55, MT85, MT100) (S70) (L23, L28)<br>7418344   |             | <b>44" Sweeper</b> | \$4,457.42            | \$0.00 |
| (MT100) (S100, S130) (T110) (S450) (T450) (L23, L28)<br>7418340   |             | <b>54" Sweeper</b> | \$4,862.91            | \$0.00 |
| (S130, S150, S160, S175, S185, S205) (S450, S510, S530, S550, S570, S590, S595) (S62, S64, S66) (T140, T180, T190) (T450, T550, T590, T595) (T62, T64, T66)<br>7418328                                    |             | <b>60" Sweeper</b> | \$5,278.28            | \$0.00 |
| (S150, S160, S175, S185, S205) (S510, S530, S550, S570, S590, S595, S630, S650, S740, S750, S770) (S62, S64, S66, S76) (A770) (T180, T190) (T550, T590, T595, T630, T650) (T62, T64, T66, T76)<br>7405171 |             | <b>72" Sweeper</b> | \$5,834.83            | \$0.00 |
| (S630, S650, S740, S750, S770, S850) (S76) (A770) (T630, T650, T740, T750, T770) (T76)<br>7418178   |             | <b>84" Sweeper</b> | \$6,529.58            | \$0.00 |

| Part Number | Description | Attachment   | Retail Price in US \$ | Labor    |
|-------------|-------------|--|-----------------------|----------|
| 7419388     |             | <b>Gutter Brush</b><br>(Add-on to the 60", 72", and 84" Sweepers) (Includes hoses, couplers, steel bristles, mounting frame, hardware and control valve) (Estimated install time 2 hours) (Ship Weight 150 lbs.) | \$2,455.92            | \$270.00 |

**Three-Point Hitch Adapter  
Bobcat Loader Attachment**



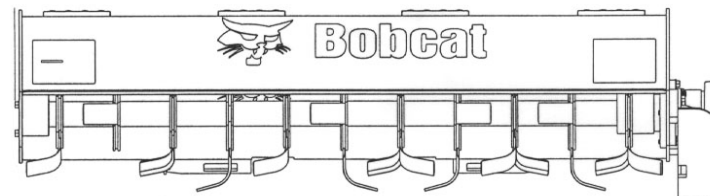


**Quick Specs**

Operating Weight..... 272 lbs  
 Mounting Frame..... Mounts to category "I and II" Three-Point Hitch Implements that meet the ASAE standard for quick hitch.  
 Overall Width..... 46"

| Part Number  | Description  | Attachment  | Retail Price in US \$ | Labor    |
|--|--|---|-----------------------|----------|
| (S100, S130, S150, S160, S175, S185, S205) (A770)<br>7110394 | Three-Point Hitch Adapter, Category "I and II"<br>(Quick-tach connection to Three-Point Hitch implements to convert to Bob-Tach™) (Includes 2" receiver for moving trailers) | (S450, S510, S530, S550, S570, S590, S595, S630, S650, S740, S750, S770) (T450, T550, T590, T595, T630, T650, T740, T750, T770) | \$1,241.55            | \$270.00 |

**Tiller  
 Bobcat Loader Attachment**

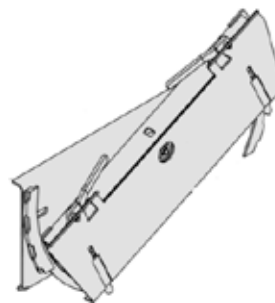


**Quick Specs**

|                       |                 |                 |                 |
|-----------------------|-----------------|-----------------|-----------------|
|                       | <b>40"</b>      | <b>62"</b>      | <b>76"</b>      |
| Operating Weight..... | 475 lbs         | 660 lbs         | 749 lbs         |
| Working Width.....    | 40.6"           | 62.1"           | 75.4"           |
| Overall Width.....    | 48"             | 70.8"           | 84.4"           |
| Tines.....            | 24              | 36              | 44              |
| Working Depth.....    | 6" maximum      | 6" maximum      | 6" maximum      |
| Tine Rotation.....    | Bi-rotational   | Bi-rotational   | Bi-rotational   |
| Drive.....            | Direct Drive    | Direct Drive    | Direct Drive    |
| Travel Direction..... | Forward/Reverse | Forward/Reverse | Forward/Reverse |
| Flow Range.....       | 9-18 GPM        | 17-40 GPM       | 17-40 GPM       |
| Skid Shoe.....        | Optional        | Optional        | Optional        |

| Part Number  | Description       | Attachment   | Retail Price in US \$ | Labor  |
|--|-------------------|--|-----------------------|--------|
| (MT50, MT52, MT55, MT85, MT100) (S70, S100) (T110) (L23, L28)<br>7196028   | 40" Rotary Tiller | (S130, S150, S160, S160H, S175, S185, S185H, S205, S205H) (S450, S510, S530, S550, S550H, S570, S570H, S590, S590H, S595, S595H, S630, S630H, S650, S650H, S740, S740H, S750, S750H, S770, S770H) (S62, S62H, S64, S64H, S66, S66H, S76, S76H) (T140, T180, T180H, T190, T190H) (T450, T550, T550H, T590, T590H, T595, T595H, T630, T630H, T650, T650H) (T62, T62H, T64, T64H, T66, T66H, T76, T76H) | \$5,457.66            | \$0.00 |
| (S160, S160H, S175, S185, S185H, S205, S205H) (S510, S530, S550, S550H, S570, S570H, S590, S590H, S595, S595H, S630, S630H, S650, S650H, S740, S740H, S750, S750H, S770, S770H) (S62, S62H, S64, S64H, S66, S66H, S76, S76H) (A770, A770H) (T180, T180H, T190, T190H) (T550, T550H, T590, T590H, T595, T595H, T630, T630H, T650, T650H, T740, T740H, T750, T750H, T770, T770H) (T62, T62H, T64, T64H, T66, T66H, T76, T76H)<br>7102125 | 76" Rotary Tiller |  | \$7,461.27            | \$0.00 |

**Tilt Tatch  
 Bobcat Loader Attachment**



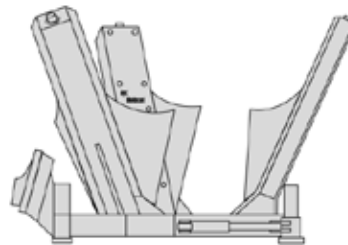
**Quick Specs**

Operating Weight..... 320 lbs  
 Height..... 20.4"  
 Width..... 48"  
 Length..... 4.3"  
 Oscillation..... ± 15°

Cylinders..... 1

| Part Number   | Description  | Attachment        | Retail Price in US \$ | Labor         |
|---|--|-------------------|-----------------------|---------------|
| <b>(S130, S150, S160, S175, S185, S205) (S450, S510, S530, S550, S570, S590, S595, S630, S650) (S62, S64, S66, S76) (T140, T180, T190) (T450, T550, T590, T595) (T62, T64, T66)</b> |  |                   |                       |               |
| 7101600   |  | <b>Tilt-Tatch</b> | <b>\$3,144.13</b>     | <b>\$0.00</b> |
|   | (Interface between the Loader's Bob-Tach and non hydraulic attachments)  |                   |                       |               |
|   | <b>Note: Use of Tilt-Tatch will reduce Operating Capacity and Tip Load by approximately 20%. See the Tilt-Tatch Operators Manual for New Load Ratings.</b> |                   |                       |               |
|   | <b>Note: Tilt-Tatch can be used with non-hydraulic attachments only.</b>   |                   |                       |               |

**Tree Spade  
Bobcat Loader Attachment**



**Quick Specs**

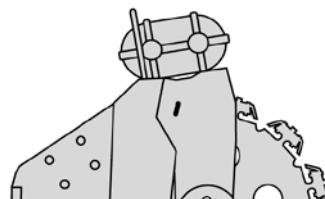
|                       |              | 32"       | 36"       | 44"       |
|-----------------------|--------------|-----------|-----------|-----------|
| Spade Weight          | Cone 30°     | 1590 lbs. | 1640 lbs. | 2150 lbs. |
|                       | Modified 25° | 1525 lbs. | 1580 lbs. | 2145 lbs. |
| Width                 | Cone 30°     | 91.8 in.  | 95.6 in.  | 85.1 in.  |
|                       | Modified 25° | 76.0 in.  | 79.8 in.  | 77.7 in.  |
| Height                | Cone 30°     | 64.2 in.  | 64.2 in.  | 64.2 in.  |
|                       | Modified 25° | 58.7 in.  | 58.7 in.  | 66.6 in.  |
| Length                | Cone 30°     | 83.3 in.  | 87.5 in.  | 85.1 in.  |
|                       | Modified 25° | 74.2 in.  | 78.4 in.  | 78.5 in.  |
| Max Digging Depth     | Cone 30°     | 31.2 in.  | 32.9 in.  | 33.3 in.  |
|                       | Modified 25° | 25.9 in.  | 29.4 in.  | 31.0 in.  |
| Bottom Opening Radius | Cone 30°     | 0.8 in.   | 2.2 in.   | 5.6 in.   |
|                       | Modified 25° | 5.6 in.   | 6.2 in.   | 9.4 in.   |

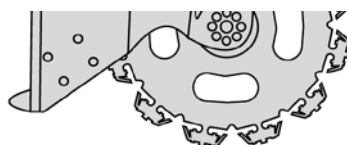
| Part Number  | Description | Attachment                           | Retail Price in US \$ | Labor         |
|--|-------------|--------------------------------------|-----------------------|---------------|
| <b>Convertible Tree Spades</b>   |             |                                      |                       |               |
| Convertible Tree Spades can be equipped with either a pendant style (rocker switch) control panel or a 7-pin ACD control kit.  |             |                                      |                       |               |
| Convertible Tree Spades for competitor loaders G-series and older require pendant control to be ordered and installed. 44" Tree Spade requires pendant control kit p/n 7152664 for competitive loaders G-series and older. New Tree Spades come stock with 7-pin ACD |             |                                      |                       |               |
| <b>(S160, S175, S185, S205) (S510, S530, S550, S570, S590, S595, S630, S650, S740, S750, S770, S850) (S62, S64, S66, S76) (A770) (T180, T190) (T550, T590, T595, T630, T650, T740, T750, T770, T870) (T62, T64, T66, T76)</b>  |             |                                      |                       |               |
| 7149485  |             | 32" Convertible Tree Spade, Cone     | <b>\$16,510.98</b>    | <b>\$0.00</b> |
| 7149442  |             | 32" Convertible Tree Spade, Modified | <b>\$16,510.98</b>    | <b>\$0.00</b> |
| <b>(S175, S185, S205) (S510, S530, S550, S570, S590, S595, S630, S650, S740, S750, S770, S850) (S62, S64, S66, S76) (A770) (T180, T190) (T550, T590, T595, T630, T650, T740, T750, T770, T870) (T76)</b>   |             |                                      |                       |               |
| 7149488  |             | 36" Convertible Tree Spade, Cone     | <b>\$17,310.07</b>    | <b>\$0.00</b> |
| 7149445  |             | 36" Convertible Tree Spade, Modified | <b>\$17,310.07</b>    | <b>\$0.00</b> |
| <b>(S740, S750, S770, S850) (A770) (T650, T740, T750, T770, T870) (T76)</b>  |             |                                      |                       |               |
| 7149491  |             | 44" Convertible Tree Spade, Cone     | <b>\$23,667.83</b>    | <b>\$0.00</b> |
| 7149306  |             | 44" Convertible Tree Spade, Modified | <b>\$23,667.83</b>    | <b>\$0.00</b> |
| *Competitive loaders G-series and older require/must also order pendant control kit P/N 7152664  |             |                                      |                       |               |

**Note: Rear Stabilizers are required and counterweights are recommended when using the tree spade**

| Part Number                | Description   | Dealer Installed Accessories - Order From Sales | Retail Price in US \$ | Labor          |
|----------------------------|---|---|-----------------------|----------------|
| <b>(All Loader Series)</b> |   |   |                       |                |
| 7152662                    |   | ACD Conversion Kit, 7-Pin                       | <b>\$482.47</b>       | <b>\$90.00</b> |
| 7152663                    |   | Pendant Control Kit, 3-Blade                    | <b>\$969.93</b>       | <b>\$90.00</b> |
|                            | (For 24" through 36" Convertible Tree Spades) (No additional Control Kits needed.)                                    |   |                       |                |
| 7152664                    |   | Pendant Control Kit, 4-Blade                    | <b>\$1,093.01</b>     | <b>\$90.00</b> |
|                            | (For 44" Convertible Tree Spades) (No additional Control Kits needed.) (Will operate 4-Blade convertible Tree Spades) |   |                       |                |

**Trench Compactor  
Bobcat Loader Attachment**



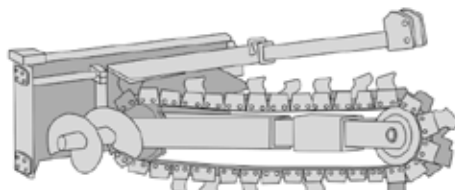


**Quick Specs**

Operating Weight..... 1400 lbs  
 Height..... 59"  
 Length..... 57"  
 Width..... 48"

| Part Number  | Description | Attachment   | Retail Price in US \$ | Labor  |
|--|-------------|--|-----------------------|--------|
| (S130, S150, S160, S175, S185, S205) (S450, S510, S530, S550, S570, S590, S595, S630, S650, S740, S750, S770) (S62, S64, S66, S76) (A770) (T140, T180, T190) (T450, T550, T590, T595, T630, T650, T740, T750, T770) (T62, T64, T66, T76) |             |  |                       |        |
| 6905277  |             | <b>Trench Compactor</b><br>(Comes standard with a 4 1/2" Pad and compacts trenches up to 8" wide) (Wheel-type vibratory compactor) | \$12,052.42           | \$0.00 |

**Trencher  
 Bobcat Loader Attachment**



**Quick Specs**

|                                     | <u>LT112</u> | <u>LT113</u> | <u>LT213</u> | <u>LT313 3' depth</u> |
|-------------------------------------|--------------|--------------|--------------|-----------------------|
| Operating Weight (without teeth)... | 613 lbs      | 638 lbs      | 725 lbs      | 955 lbs               |
| Flow Range.....                     | 9-15 gpm     | 9-15 gpm     | 11-18 gpm    | 15-23 gpm             |
| Maximum Operating Pressure.....     | 3000 psi     | 3000 psi     | 3300 psi     | 3300 psi              |
| Frame Width (std. equipment).....   | 36"          | 36"          | 56"          | 56"                   |
| Trenching Widths Available.....     | 4" to 8"     | 4" to 8"     | 4" to 8"     | 6" to 12"             |
| Side Shift Travel.....              | 16.1"        | 16.1"        | 23.1"        | 23.1"                 |
| Auger Diameter.....                 | 12" *        | 12"          | 12"          | 14"                   |
| Auger Clearance.....                | 13.8-15.8"   | 13.8-15.8"   | 13.8-15.8"   | 24-27"                |
| Dig Depth @ 60 degrees.....         | 2'           | 3'           | 3'           | 3'                    |
| Overall Length.....                 | 60.7"        | 74"          | 74"          | 79.5"                 |
| Standard Boom Length.....           | 39.4"        | 52.5"        | 52.5"        | 55.5"                 |

|                                     | <u>LT313 4' depth</u> | <u>LT414 4' depth</u> | <u>LT414 5' depth</u> | <u>LT405</u> |
|-------------------------------------|-----------------------|-----------------------|-----------------------|--------------|
| Operating Weight (without teeth)... | 980 lbs               | 1181 lbs              | 1218 lbs              | 1520 lbs     |
| Flow Range.....                     | 15-23 gpm             | 26-40 gpm             | 26-40 gpm             | 26-40 gpm    |
| Maximum Operating Pressure.....     | 3300 psi              | 3300 psi              | 3300 psi              | 3300 psi     |
| Frame Width (std. equipment).....   | 56"                   | 56.25"                | 56.25"                | 65"          |
| Trenching Widths Available.....     | 6" to 12"             | 6" to 12"             | 6" to 8"              | 6" to 12"    |
| Side Shift Travel.....              | 23.1"                 | 21.8"                 | 21.8"                 | 26"          |
| Auger Diameter.....                 | 14"                   | 12 to 14.25"          | 12 to 14.25"          | 12" *        |
| Auger Clearance.....                | 24-27"                | 23.4-26.4"            | 23.4-26.4"            | 19"          |
| Dig Depth @ 60 degrees.....         | 4'                    | 50"                   | 62"                   | 4'-5'        |
| Overall Length.....                 | 89.5"                 | 90"                   | 104"                  | 105"         |
| Standard Boom Length.....           | 65.5"                 | 65"                   | 79"                   | 63"          |

Single Removable Auger      Tapered Removable Auger      \* Dual Augers

| Part Number                                      | Description | LT112 Trencher Attachment   | Retail Price in US \$ | Labor  |
|--|-------------|---|-----------------------|--------|
| (MT50, MT52, MT55, MT85, MT100) (S70) (L23, L28) |             |   |                       |        |
| M7011  |             | <b>LT112 Trencher</b><br>(Includes mounting frame, hoses, couplers, 2' depth, manual sideshift, 4" trench cleaner) (Can only order one factory installed chain option per trencher model) | \$4,770.51            | \$0.00 |
|  |             | <b>2' Chain Options are 1.654" Double Standard (DS) Anti-Back Flex (ABF)</b>  |                       |        |
| M7011-R01-C02                                    |             | 2' x 4" Cup Teeth, Single Standard pattern  | \$615.32              | \$0.00 |
| M7011-R01-C01                                    |             | 2' x 4" Cup Teeth, Double Standard Pattern  | \$750.17              | \$0.00 |
| M7011-R01-C03                                    |             | 2' x 4" Cup & Carbide Teeth, Double Standard pattern  | \$1,343.78            | \$0.00 |
| M7011-R01-C05                                    |             | 2' x 4" Shark/Cup Teeth in Double Standard Pattern  | \$911.03              | \$0.00 |
| M7011-R01-C06                                    |             | 2' x 6" Shark/Cup Teeth in Double Standard Pattern  | \$1,147.01            | \$0.00 |

| Part Number | Description           | Dealer Installed Accessories - Order From Sales  | Retail Price in US \$ | Labor  |
|-------------|-----------------------|--|-----------------------|--------|
|             |                       | <b><u>LT112 Chain Configuration Accessories (Replacement Chain - Dealer Installed)</u></b><br><b>Chains are 1.654" Double Standard (DS) Anti-Back Flex (ABF)</b> |                       |        |
| 6959315     | (Ship Weight 76 lbs.) | 2' x 4" Cup Teeth, Single Standard Pattern   | \$676.15              | \$0.00 |
| 6959323     | (Ship Weight 85 lbs.) | 2' x 4" Cup Teeth, Double Standard Pattern   | \$850.46              | \$0.00 |
| 6959333     |                       | 2' x 4" Cup & Carbide Teeth, Double Standard Pattern   | \$1,607.77            | \$0.00 |

## Loader Attachments

| Part Number | Description  | Retail Price in US \$ | Labor  |
|-------------|--|-----------------------|--------|
|             | (Ship Weight 91 lbs.)  |                       |        |
| 7209862     | 2' x 4" Shark Tooth/Cup Teeth, Double Standard Pattern   | \$937.64              | \$0.00 |
| 7209863     | 2' x 6" Shark Tooth/Cup Teeth, Double Standard Pattern   | \$1,039.22            | \$0.00 |
| 6959317     | 3' x 4" Cup Teeth, Single Standard Pattern<br>(Must also order Boom Guide Assembly p/n 6959248) (Ship Weight 100 lbs.)           | \$805.00              | \$0.00 |
| 6959335     | 3' x 6" Cup Teeth, Single Standard Pattern<br>(Must also order Boom Guide Assembly p/n 6959248) (Ship Weight 113 lbs.)           | \$850.46              | \$0.00 |
| 6959321     | 3' x 4" Cup Teeth, Double Standard Pattern<br>(Must also order Boom Guide Assembly p/n 6959248) (Ship Weight 115 lbs.)           | \$900.63              | \$0.00 |
| 6959319     | 3' x 4" Cup & Carbide Teeth, Double Standard Pattern<br>(Must also order Boom Guide Assembly p/n 6959248) (Ship Weight 115 lbs.) | \$1,749.85            | \$0.00 |

| Part Number  | Description   | Retail Price in US \$ | Labor  |
|--|---|-----------------------|--------|
| <b>LT113 Trencher Attachment</b>   |   |                       |        |
| <b>(MT50, MT52, MT55, MT85, MT100) (S70) (L23, L28)</b>                      |   |                       |        |
| M7014  | <b>LT113 Trencher</b><br>(Includes mounting frame, hoses, couplers, 3' depth, manual sideshift, 4" trench cleaner)<br>(Can only order one factory installed chain option per trencher model)                  | \$4,974.88            | \$0.00 |
| <i>3' Chain Options are 1.654" Double Standard (DS) Anti-Back Flex (ABF)</i> |   |                       |        |
| M7014-R01-C02  | 3' x 4" Cup Teeth, Single Standard Pattern  | \$593.61              | \$0.00 |
| M7014-R01-C04  | 3' x 6" Cup Teeth, Single Standard Pattern  | \$633.83              | \$0.00 |
| M7014-R01-C01  | 3' x 4" Cup Teeth, Double Standard Pattern  | \$676.24              | \$0.00 |
| M7014-R01-C03  | 3' x 4" Cup & Carbide Teeth, Double Standard Pattern  | \$1,384.00            | \$0.00 |
| M7014-R01-C06  | 3' x 4" Shark/Cup Teeth in Double Standard Pattern  | \$1,113.30            | \$0.00 |
| M7014-R01-C07  | 3' x 6" Shark/Cup Teeth in Double Standard Pattern  | \$1,390.50            | \$0.00 |
| M7040  | <b>Trencher LT113 CII, MT85, MT100</b><br>(Includes mounting frame, hoses, couplers, 3' depth, manual sideshift, 4" trench cleaner)<br>(Can only order one factory installed chain option per trencher model) | \$4,974.88            | \$0.00 |
| <i>3' Chain Options are 1.654" Double Standard (DS) Anti-Back Flex (ABF)</i> |   |                       |        |
| M7040-R01-C02  | 3' x 4" Cup Teeth, Single Standard Pattern  | \$593.61              | \$0.00 |
| M7040-R01-C04  | 3' x 6" Cup Teeth, Single Standard Pattern  | \$633.83              | \$0.00 |
| M7040-R01-C01  | 3' x 4" Cup Teeth, Double Standard Pattern  | \$676.24              | \$0.00 |
| M7040-R01-C03  | 3' x 4" Cup & Carbide Teeth, Double Standard Pattern  | \$1,384.00            | \$0.00 |
| M7040-R01-C06  | 3' x 4" Shark/Cup Teeth in Double Standard Pattern  | \$1,113.30            | \$0.00 |
| M7040-R01-C07  | 3' x 6" Shark/Cup Teeth in Double Standard Pattern  | \$1,390.50            | \$0.00 |

| Part Number   | Description  | Retail Price in US \$ | Labor  |
|---|--|-----------------------|--------|
| <b>Dealer Installed Accessories - Order From Sales</b>                              |  |                       |        |
| <b>LT113 Chain Configuration Accessories (Replacement Chain - Dealer Installed)</b> |  |                       |        |
| <i>Chains are 1.654" Double Standard (DS) Anti-Back Flex (ABF)</i>                  |  |                       |        |
| 6959317   | 3' x 4" Cup Teeth, Single Standard Pattern<br>(Must also order Boom Guide Assembly p/n 6959248) (Ship Weight 100 lbs.)           | \$805.00              | \$0.00 |
| 6959335   | 3' x 6" Cup Teeth, Single Standard Pattern<br>(Must also order Boom Guide Assembly p/n 6959248) (Ship Weight 113 lbs.)           | \$850.46              | \$0.00 |
| 6959321   | 3' x 4" Cup Teeth, Double Standard Pattern<br>(Must also order Boom Guide Assembly p/n 6959248) (Ship Weight 115 lbs.)           | \$900.63              | \$0.00 |
| 6959319   | 3' x 4" Cup & Carbide Teeth, Double Standard Pattern<br>(Must also order Boom Guide Assembly p/n 6959248) (Ship Weight 115 lbs.) | \$1,749.85            | \$0.00 |
| 7209864   | 3' x 4" Shark Tooth/Cup Teeth, Double Standard Pattern   | \$1,177.82            | \$0.00 |
| 7209865   | 3' x 6" Shark Tooth/Cup Teeth, Double Standard Pattern   | \$1,376.03            | \$0.00 |

| Part Number   | Description  | Retail Price in US \$ | Labor  |
|---|--|-----------------------|--------|
| <b>LT213 Trencher Attachment</b>  |  |                       |        |
| <b>(S100, S130) (T110, T140) (S450) (T450)</b>                            |  |                       |        |
| M7013   | <b>LT213 Trencher</b><br>(Includes 3' depth, manual sideshift, and 4" trench cleaner) (Can only order one factory installed chain option per trencher model) | \$5,005.39            | \$0.00 |
| <i>Chain Options are 1.654" Double Standard (DS) Anti-Back Flex (ABF)</i> |  |                       |        |
| M7013-R01-C02   | 3' x 4" Cup Teeth, Single Standard Pattern   | \$593.61              | \$0.00 |
| M7013-R01-C04   | 3' x 6" Cup Teeth, Single Standard Pattern   | \$633.83              | \$0.00 |
| M7013-R01-C01   | 3' x 4" Cup Teeth, Double Standard Pattern   | \$676.24              | \$0.00 |
| M7013-R01-C03   | 3' x 4" Cup & Carbide Teeth, Double Standard Pattern   | \$1,384.00            | \$0.00 |
| M7013-R01-C06   | 3' x 4" Shark/Cup Teeth in Double Standard Pattern   | \$1,113.30            | \$0.00 |
| M7013-R01-C07   | 3' x 6" Shark/Cup Teeth in Double Standard Pattern   | \$1,294.87            | \$0.00 |

| Part Number   | Description   | Retail Price in US \$ | Labor    |
|---|---|-----------------------|----------|
| <b>Dealer Installed Accessories - Order From Sales</b>                              |   |                       |          |
| <b>LT213 Chain Configuration Accessories (Replacement Chain - Dealer Installed)</b> |   |                       |          |
| <i>Chains are 1.654" Double Standard (DS) Anti-Back Flex (ABF)</i>                  |   |                       |          |
| 6959317   | 3' x 4" Cup Teeth, Single Standard Pattern<br>(Must also order Boom Guide Assembly p/n 6959248) (Ship Weight 100 lbs.)              | \$805.00              | \$0.00   |
| 6959335   | 3' x 6" Cup Teeth, Single Standard Pattern<br>(Must also order Boom Guide Assembly p/n 6959248) (Ship Weight 113 lbs.)              | \$850.46              | \$0.00   |
| 6959321   | 3' x 4" Cup Teeth, Double Standard Pattern<br>(Must also order Boom Guide Assembly p/n 6959248) (Ship Weight 115 lbs.)              | \$900.63              | \$0.00   |
| 6959319   | 3' x 4" Cup & Carbide Teeth, Double Standard Pattern<br>(Must also order Boom Guide Assembly p/n 6959248) (Ship Weight 115 lbs.)    | \$1,749.85            | \$0.00   |
| 7209864   | 3' x 4" Shark Tooth/Cup Teeth, Double Standard Pattern  | \$1,177.82            | \$0.00   |
| 7209865   | 3' x 6" Shark Tooth/Cup Teeth, Double Standard Pattern  | \$1,376.03            | \$0.00   |
| 7274348   | <b>Hydraulic Side Shift Kit</b><br>(Hydraulically side shift the trencher boom 23.1") (Ship Weight 58 lbs.) (1.5 hour install time) | \$927.00              | \$225.00 |

| Part Number                      | Description | Retail Price in US \$ | Labor |
|----------------------------------|-------------|-----------------------|-------|
| <b>LT313 Trencher Attachment</b> |             |                       |       |

(S130, S150, S160, S175, S185, S205) (S450, S510, S530, S550, S570, S590, S595, S630, S650, S740, S750, S770)  
 (S62, S64, S66, S76) (A770) (T140, T180, T190) (T450, T550, T590, T595, T630, T650) (T62, T64, T66, T76)

|   |  |            |        |
|---|--|------------|--------|
| M7015   | <b>LT313 Trencher</b><br>(Includes 3' depth, manual sideshift, 6" trench cleaner) (Can only order one factory installed chain option per trencher model) | \$6,039.27 | \$0.00 |
| <i>All chains are 2.0" Double Standard (DS) Anti-Back Flex (ABF)</i>  |  |            |        |
| M7015-R01-C13   | No Chain Option  | n/c        | \$0.00 |
| M7015-R01-C02   | 3' x 6" Cup Teeth in Single Standard Pattern   | \$838.20   | \$0.00 |
| M7015-R01-C05   | 3' x 8" Cup Teeth in Single Standard Pattern   | \$884.92   | \$0.00 |
| M7015-R01-C01   | 3' x 6" Cup Teeth in Double Standard Pattern   | \$1,390.50 | \$0.00 |
| M7015-R01-C04   | 3' x 6" Shark/Cup Teeth in Double Standard Pattern   | \$1,403.50 | \$0.00 |
| M7015-R01-C03   | 3' x 6" Cup & Carbide Teeth in Double Standard Pattern   | \$2,274.42 | \$0.00 |
| M7015-R01-C06   | 3' x 8" Cup & Carbide Teeth in Double Standard Pattern   | \$2,328.74 | \$0.00 |
| M7015-R01-C14   | 3' x 8" Shark/Cup Teeth in Double Standard Pattern   | \$1,694.91 | \$0.00 |
| <i>The LT313 is assembled as a 4' dig depth when ordering the 4' chain option (Boom Guide included with 4' factory installed chain)</i> |  |            |        |
| M7015-R01-C08   | 4' x 6" Cup Teeth in Single Standard Pattern   | \$1,033.87 | \$0.00 |
| M7015-R01-C11   | 4' x 8" Cup Teeth in Single Standard Pattern   | \$1,160.02 | \$0.00 |
| M7015-R01-C07   | 4' x 6" Cup Teeth in Double Standard Pattern   | \$1,276.36 | \$0.00 |
| M7015-R01-C10   | 4' x 6" Shark/Cup Teeth in Double Standard Pattern   | \$1,647.09 | \$0.00 |
| M7015-R01-C09   | 4' x 6" Cup & Carbide Teeth in Double Standard Pattern   | \$2,551.62 | \$0.00 |
| M7015-R01-C12   | 4' x 8" Cup & Carbide Teeth in Double Standard Pattern   | \$2,726.68 | \$0.00 |
| M7015-R01-C15   | 4' x 8" Shark/Cup Teeth in Double Standard Pattern   | \$1,868.87 | \$0.00 |

| Part Number | Description | Retail Price in US \$ | Labor |
|-------------|-------------|-----------------------|-------|
|-------------|-------------|-----------------------|-------|

**LT313 Chain Configuration Accessories (Replacement Chain - Dealer Installed)**  
 Chains are 1.654" Double Standard (DS) Anti-Back Flex (ABF)

|         |  |            |          |
|---------|--|------------|----------|
| 6970056 | 3' x 6" Cup Teeth in Single Standard Pattern<br>(Ship Weight 143 lbs.)   | \$980.71   | \$0.00   |
| 6970057 | 3' x 8" Cup Teeth in Single Standard Pattern<br>(Ship Weight 151 lbs.)   | \$980.71   | \$0.00   |
| 6959240 | 3' x 6" Cup Teeth in Double Standard Pattern<br>(Ship Weight 195 lbs.)   | \$1,607.77 | \$0.00   |
| 6970058 | 3' x 6" Cup & Carbide Teeth in Double Standard Pattern<br>(Ship Weight 228 lbs.)   | \$2,648.23 | \$0.00   |
| 7100638 | 3' x 6" Shark Tooth/Cup Teeth in Double Standard Pattern<br>(Ship Weight 153 lbs.)   | \$1,669.93 | \$0.00   |
| 6970059 | 3' x 8" Cup & Carbide Teeth in Double Standard Pattern<br>(Ship Weight 236 lbs.)   | \$2,646.99 | \$0.00   |
| 7209866 | 3' x 8" Shark Tooth/Cup Teeth, Double Standard Pattern   | \$1,600.68 | \$0.00   |
| 6808242 | 4' x 6" Cup Teeth in Single Standard Pattern<br>(Must also order Boom Guide Assembly) (Ship Weight 168 lbs.)                 | \$1,194.46 | \$0.00   |
| 6808243 | 4' x 8" Cup Teeth in Single Standard Pattern<br>(Must also order Boom Guide Assembly) (Ship Weight 178 lbs.)                 | \$1,176.61 | \$0.00   |
| 6959238 | 4' x 6" Cup Teeth in Double Standard Pattern<br>(Must also order Boom Guide Assembly) (Ship Weight 178 lbs.)                 | \$1,653.22 | \$0.00   |
| 7100628 | 4' x 6" Shark Tooth/Cup Teeth in Double Standard Pattern<br>(Must also order Boom Guide Assembly) (Ship Weight 168 lbs.)     | \$2,012.63 | \$0.00   |
| 6808244 | 4' x 6" Cup & Carbide Teeth in Double Standard Pattern<br>(Must also order Boom Guide Assembly) (Ship Weight 268 lbs.)       | \$2,934.87 | \$0.00   |
| 6808245 | 4' x 8" Cup & Carbide Teeth in Double Standard Pattern<br>(Must also order Boom Guide Assembly) (Ship Weight 278 lbs.)       | \$2,985.03 | \$0.00   |
| 7209867 | 4' x 8" Shark Tooth/Cup Teeth, Double Standard Pattern   | \$1,874.20 | \$0.00   |
| 7274348 | Hydraulic Side Shift Kit<br>(Hydraulically side shift the trencher boom 23.1") (Ship Weight 58 lbs.) (1.5 hour install time) | \$927.00   | \$225.00 |

| Part Number | Description | Retail Price in US \$ | Labor |
|-------------|-------------|-----------------------|-------|
|-------------|-------------|-----------------------|-------|

**LT414 Trencher Attachment**

(S160H, S185H, S205H) (S550H, S570H, S590H, S595H, S630H, S650H, S740H, S750H, S770H) (S62H, S64H, S66H, S76H) (A770H) (T180H, T190H) (T550H, T590H, T595H, T630H, T650H, T740H, T750H, T770H)  
 (T62H, T64H, T66H, T76H)  
**4' Depth**  
 (S630H, S650H, S740H, S750H, S770H) (S76H) (A770H) (T630H, T650H, T740H, T750H, T770H) (T76H)  
**5' Depth**

|  |   |            |        |
|--|---|------------|--------|
| M7016  | <b>LT414 Trencher</b><br>(Includes 4' or 5' depth, hydraulic sideshift, and 6" trench cleaner) (Can only order one factory installed chain option per trencher model) (Loader must be equipped with High Flow auxiliary hydraulics) | \$9,007.23 | \$0.00 |
| <i>Chains are 2.0" Single Standard (SS) or Double Standard (DS) Anti-Back Flex (ABF)</i> |   |            |        |
| M7016-R01-C13  | No Chain Option   | n/c        | \$0.00 |
| M7016-R01-C08  | 4' x 6" Cup Teeth, Single Standard Pattern  | \$1,066.48 | \$0.00 |
| M7016-R01-C07  | 4' x 6" Cup Teeth, Double Standard Pattern  | \$1,227.44 | \$0.00 |
| M7016-R01-C09  | 4' x 6" Cup & Carbide Teeth, Double Standard Pattern  | \$2,551.62 | \$0.00 |
| M7016-R01-C10  | 4' x 6" Shark/Cup Teeth in Double Standard Pattern  | \$2,112.36 | \$0.00 |
| M7016-R01-C11  | 4' x 8" Cup Teeth, Single Standard Pattern  | \$1,154.61 | \$0.00 |
| M7016-R01-C12  | 4' x 8" Cup & Carbide Teeth in Double Standard Pattern  | \$2,652.75 | \$0.00 |
| M7016-R01-C14  | 4' x 8" Shark/Cup Teeth in Double Standard Pattern  | \$1,958.00 | \$0.00 |
| M7016-R01-C04  | 5' x 6" Cup Teeth, Single Standard Pattern  | \$1,268.76 | \$0.00 |
| M7016-R01-C01  | 5' x 6" Cup Teeth, Double Standard Pattern  | \$1,451.42 | \$0.00 |
| M7016-R01-C03  | 5' x 6" Cup & Carbide Teeth, Double Standard Pattern  | \$3,021.28 | \$0.00 |
| M7016-R01-C02  | 5' x 6" Shark/Cup Teeth in Double Standard Pattern  | \$2,409.16 | \$0.00 |
| M7016-R01-C06  | 5' x 8" Cup Teeth, Single Standard Pattern  | \$1,323.07 | \$0.00 |
| M7016-R01-C05  | 5' x 8" Cup & Carbide Teeth in Double Standard Pattern  | \$3,307.19 | \$0.00 |

| Part | Description | Retail Price in US \$ | Labor |
|------|-------------|-----------------------|-------|
|------|-------------|-----------------------|-------|

**Dealer Installed Accessories - Order From Sales**

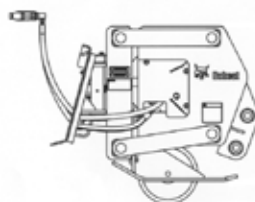
| Number  | Description  | Retail Price in US \$ |        |
|---|--|-----------------------|--------|
| <b><i>LT414 Chain Configuration Accessories (Replacement Chain - Dealer Installed)</i></b><br><b><i>Chains are 2.0" Single Standard (SS) or Double Standard (DS) Anti-Back Flex (ABF)</i></b> |  |                       |        |
| 6808242   | 4' x 6" Cup Teeth in Single Standard Pattern<br>(Ship Weight 168 lbs.)             | \$1,194.46            | \$0.00 |
| 6808243   | 4' x 8" Cup Teeth in Single Standard Pattern<br>(Ship Weight 178 lbs.)             | \$1,176.61            | \$0.00 |
| 6959238   | 4' x 6" Cup Teeth in Double Standard Pattern<br>(Ship Weight 178 lbs.)             | \$1,653.22            | \$0.00 |
| 7100628   | 4' x 6" Shark Tooth/Cup Teeth in Double Standard Pattern<br>(Ship Weight 168 lbs.) | \$2,012.63            | \$0.00 |
| 6808244   | 4' x 6" Cup & Carbide Teeth in Double Standard Pattern<br>(Ship Weight 268 lbs.)   | \$2,934.87            | \$0.00 |
| 6808245   | 4' x 8" Cup & Carbide Teeth in Double Standard Pattern<br>(Ship Weight 278 lbs.)   | \$2,985.03            | \$0.00 |
| 7209867   | 4' x 8" Shark Tooth/Cup Teeth, Double Standard Pattern                             | \$1,874.20            | \$0.00 |
| 7109030   | 5' x 6" Cup Teeth in Single Standard Pattern<br>(Ship Weight 155 lbs.)             | \$1,073.86            | \$0.00 |
| 7109028   | 5' x 8" Cup Teeth in Single Standard Pattern<br>(Ship Weight 164 lbs.)             | \$1,101.22            | \$0.00 |
| 7109031   | 5' x 6" Cup Teeth in Double Standard Pattern<br>(Ship Weight 182 lbs.)             | \$1,328.17            | \$0.00 |
| 7109029   | 5' x 6" Shark Tooth/Cup Teeth in Double Standard Pattern<br>(Ship Weight 175 lbs.) | \$2,572.79            | \$0.00 |
| 7109022   | 5' x 6" Cup & Carbide Teeth in Double Standard Pattern<br>(Ship Weight 274 lbs.)   | \$3,722.04            | \$0.00 |
| 7109041   | 5' x 8" Cup & Carbide Teeth in Double Standard Pattern<br>(Ship Weight 292 lbs.)   | \$3,309.81            | \$0.00 |

| Part Number | Description   | Attachment                | Retail Price in US \$ | Labor    |
|-------------|---|---------------------------|-----------------------|----------|
| 6906100     | (S185H, S205H) (S550H, S570H, S590H, S595H, S630H, S650H, S740H, S750H, S770H) (S62H, S64H, S66H, S76H) (A770H) (T180H, T190H) (T550H, T590H, T595H, T630H, T650H, T740H, T750H, T770H) (T62H, T64H, T66H, T76H)<br>LT405 Trencher<br>(Includes 3' - 4' adjustable boom setup at 4', double standard ABF chain, Hydraulic Sideshift, 6" trench cleaner, hoses and couplers) (Must also order teeth) | LT405 Trencher Attachment | \$14,148.47           | \$202.50 |

***LT405 Chain, Tooth and Spacer Configurations***

| Width      | Depth      | Kits Needed for Single Standard Pattern |
|------------|------------|---|
| 6"         | 3', 4', 5' | 1 Cup Tooth Kit                         |
| 6" Carbide | 3', 4', 5' | 1 Carbide Tooth Kit                     |
| 8" or 12"  | 3' or 4'   | 1 Cup Tooth Kit, 1 Spacer Kit           |

**Vibratory Plow  
Bobcat Loader Attachment**

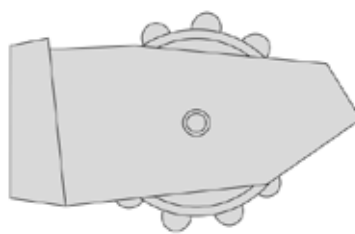


**Quick Specs**

|                           |           |
|---------------------------|-----------|
| Operating Weight.....     | 520 lbs   |
| Overall Width.....        | 36.0"     |
| Overall Height.....       | 31.1"     |
| Overall Length.....       | 36.6"     |
| Hydraulic Flow Range..... | 10-14 gpm |

| Part Number | Description   | Attachment                              | Retail Price in US \$ | Labor  |
|-------------|---|---|-----------------------|--------|
| 7100484     | (MT50, MT52, MT55, MT85, MT100) (L23, L28)<br>VP12 Vibratory Plow<br>(Includes blade mounting pins) (Must also order blade)   | VP12 Vibratory Plow                     | \$11,089.18           | \$0.00 |
| 7100491     | 3/8" Blade, 6-12" depth with 1" Clevis<br>(0.375 inches thick) (The blade is used to pull the cable pull, pipe pull, or bullet option)<br>(Recommended for soft/loose soils only)   | 3/8" Blade, 6-12" depth with 1" Clevis  | \$310.48              | \$0.00 |
| 7100493     | 3/8" Blade, 12-18" depth with 1" Clevis<br>(0.375 inches thick) (The blade is used to pull the cable pull, pipe pull, or bullet option)<br>(Recommended for soft/loose soils only)  | 3/8" Blade, 12-18" depth with 1" Clevis | \$335.56              | \$0.00 |
| 7100495     | 1/2" Chute Blade, 6-12" depth<br>(0.5 inches thick) (The blade with chute is used for laying cables. Feed the cable through the opening in the top of the chute and out the bottom of the blade. The cable can be either positioned on the ground next to where it will be buried or a spool of cable can be put on the reel mount ) (Recommended for soft/loose soils only)  | 1/2" Chute Blade, 6-12" depth           | \$525.57              | \$0.00 |
| 7100497     | 1/2" Chute Blade, 12-18" depth<br>(0.5 inches thick) (The blade with chute is used for laying cables. Feed the cable through the opening in the top of the chute and out the bottom of the blade. The cable can be either positioned on the ground next to where it will be buried or a spool of cable can be put on the reel mount ) (Recommended for soft/loose soils only) | 1/2" Chute Blade, 12-18" depth          | \$565.06              | \$0.00 |

**Vibratory Roller  
Bobcat Loader Attachment**



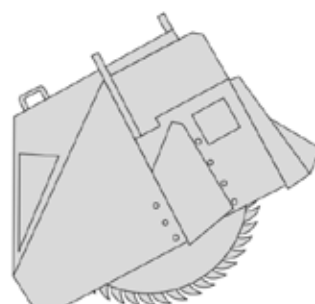
**Quick Specs**

|                                       | <u>48"</u>                                 | <u>73"</u>                                | <u>80"</u>       |
|---------------------------------------|--|---|------------------|
| Operating Weight (Padded/Smooth)..... | 1778 lbs./1788 lbs.                        | 2189 lbs./2208 lbs.                       | 2320 lbs.        |
| Drum Width.....                       | 48"  | 73"                                       | 80"              |
| Overall Width.....                    | 60.5"                                      | 79.0"                                     | 86.0"            |
| Drum Offset.....                      | 9" to right                                | Centered                                  | Centered         |
| Covers Right Side Tires on.....       | 66" wide loaders                           | 72" wide loaders                          | 80" wide loaders |
| Drum Diameter (Padded/Smooth).....    | 25.4"/26.0"                                | 25.4"/26.0"                               | 26.0"            |
| Number of Pads (Padded Drum).....     | 78   | 102                                       | 0                |
| Drum Oscillation.....                 | ± 12°                                      | ± 7.5°                                    | ± 7.5°           |
| Dynamic Force.....                    | 10519 lbs. @ 17 gpm<br>14244 lbs. @ 20 gpm | 9905 lbs. @ 20 gpm<br>14263 lbs. @ 24 gpm |                  |
| Frequency.....                        | 2448 vpm @ 17 gpm<br>2879 vpm @ 20 gpm     | 2401 vpm @ 20 gpm<br>2882 vpm @ 24 gpm    |                  |

| Part Number   | Description | Attachment | Labor Retail Price in US \$ |
|---|-------------|------------|-----------------------------|
| (S130*, S150, S160, S175, S185, S205) (S450, S510, S530, S550, S570, S590, S595) (S62, S64, S66) (T140, T180, T190)<br>(T450, T550, T590, T595) (T62, T64, T66) |             |            |                             |

|  |                                       |             |        |
|--|---------------------------------------|-------------|--------|
| 7165403  | 48" Vibratory Roller with Padded Drum | \$11,316.46 | \$0.00 |
| 7165404  | 48" Vibratory Roller with Smooth Drum | \$11,187.01 | \$0.00 |
| (S205) (S550, S570, S590, S595, S630, S650, S740, S750, S770, S850) (S64, S66, S76) (A770) (T550, T590, T595, T630, T650, T740, T750, T770, T870) (T62, T64, T66, T76) |                                       |             |        |
| 7165401  | 73" Vibratory Roller with Padded Drum | \$13,142.91 | \$0.00 |
| 7165402  | 73" Vibratory Roller with Smooth Drum | \$12,785.18 | \$0.00 |
| (S650, S740, S750, S770, S850) (S76) (A770) (T630, T650, T740, T750, T770, T870) (T76)   |                                       |             |        |
| 7165400  | 80" Vibratory Roller with Smooth Drum | \$13,850.67 | \$0.00 |

**Wheel Saw  
Bobcat Loader Attachment**



**Quick Specs**

|   | <u>WS18</u> | <u>WS24</u> |
|---|-------------|-------------|
| Overall Width.....                          | 68.5"       | 68.5"       |
| Overall Length.....                         | 74.8"       | 83.9"       |
| Overall Height.....                         | 65.0"       | 76.0"       |
| Weight (less Wheel and Trench Cleaner)..... | 1567 lbs    | 1865 lbs    |
| Hydraulic Side Shift.....                   | 25.6"       | 25.6"       |
| Hydraulic Flow Required.....                | 25-40 GPM   | 25-40 GPM   |
| Trenching Depth.....                        | 6.0 – 18.0" | 8.0 – 24.0" |

| Part Number | Description | Attachment | Retail Price in US \$ | Labor |
|-------------|-------------|------------|-----------------------|-------|
|-------------|-------------|------------|-----------------------|-------|

**18" Wheel Saw with 3" Wheel**

(Must order the two part numbers listed below—18" Wheel Saw and 3" Wheel)  
 (Must also order Attachment Control Kit—See Page 1)

|  |  |                |             |        |
|--|--|----------------|-------------|--------|
| (S185H, S205H) (S590H, S595H, S630H, S650H, S740H, S750H, S770H, S850, S850H) (S76H) (A770H) (T180H, T190H) (T550H, T590H, T595H, T630H, T650H, T740H, T750H, T770H, T870, T870H) (T62H, T64H, T66H, T76H) |  |                |             |        |
| 6729537  |  | WS18 Wheel Saw | \$20,342.20 | \$0.00 |
| 6729544  |  | 3" Wheel       | \$5,285.55  | \$0.00 |

(Weight 650 lbs. Wheel Width 3.13")

Note: There is no Trench Cleaner available with the 3" Wheel.

**18" Wheel Saw with 6" Wheel and 6" Trench Cleaner**

(Must order the three part numbers listed below—18" Wheel Saw, 6" Wheel and 6" Trench Cleaner)  
 (Must also order Attachment Control Kit—See Page 1)

|   |  |                   |             |        |
|---|--|-------------------|-------------|--------|
| (S185H, S205H) (S590H, S595H, S630H, S650H, S740H, S750H, S770H, S850, S850H) (A770H) (T180H, T190H) (T550H, T590H, T595H, T630H, T650H, T740H, T750H, T770H, T870, T870H) (T62H, T64H, T66H, T76H) |  |                   |             |        |
| 6729537   |  | WS18 Wheel Saw    | \$20,342.20 | \$0.00 |
| 6729546   |  | 6" Wheel          | \$5,684.45  | \$0.00 |
| (Weight 395 lbs., Wheel Width 6.25")  |  |                   |             |        |
| 6729550   |  | 6" Trench Cleaner | \$1,925.45  | \$0.00 |
| (Weight 95 lbs.)  |  |                   |             |        |

**24" Wheel Saw with 8" Wheel and 8" Trench Cleaner**

(Must order the three part numbers listed below—24" Wheel Saw, 8" Wheel and 8" Trench Cleaner)  
 (Must also order Attachment Control Kit—See Page 1)

|   |  |                   |             |        |
|---|--|-------------------|-------------|--------|
| (S650H, S740H, S750H, S770H, S850, S850H) (S76H) (A770H) (T650H, T740H, T750H, T770H, T870, T870H) (T76H) |  |                   |             |        |
| 6729566   |  | WS24 Wheel Saw    | \$23,032.94 | \$0.00 |
| 6729573   |  | 6" Wheel          | \$6,721.19  | \$0.00 |
| (Weight 585 lbs., Wheel Width 6.25")  |  |                   |             |        |
| 6729577   |  | 6" Trench Cleaner | \$2,207.36  | \$0.00 |
| (Weight 130 lbs.)   |  |                   |             |        |

**24" Wheel Saw with 8" Wheel and 8" Trench Cleaner**

(Must order the three part numbers listed below—24" Wheel Saw, 8" Wheel and 8" Trench Cleaner)  
 (Must also order Attachment Control Kit—See Page 1)

|   |  |                   |             |        |
|---|--|-------------------|-------------|--------|
| (S650H, S740H, S750H, S770H, S850, S850H) (S76H) (A770H) (T650H, T740H, T750H, T770H, T870, T870H) (T76H) |  |                   |             |        |
| 6729566   |  | WS24 Wheel Saw    | \$23,032.94 | \$0.00 |
| 6729575   |  | 8" Wheel          | \$7,795.18  | \$0.00 |
| (Weight 618 lbs., Wheel Width 7.88")  |  |                   |             |        |
| 6729579   |  | 8" Trench Cleaner | \$2,362.60  | \$0.00 |
| (Weight 148 lbs.)   |  |                   |             |        |